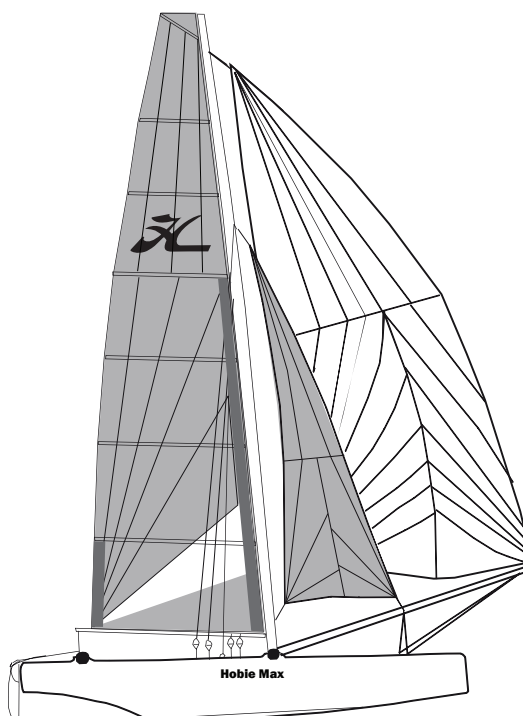


HOBIE Max (club-sport-race)

Eclaté des pièces détachées / Illustrated Part Guide / Explosionszeichnung



| | | | | |
|---------------|----------------|----------------|------------|--------------|
| Ref : ECL_MAX | Issued by : SD | Date : 03/2015 | Update : 4 | Page : 2/ 33 |
|---------------|----------------|----------------|------------|--------------|

HOBIE MAX (club-sport-race)

Eclaté des pièces détachées / Illustrated Part Guide / Explosionszeichnung

Sommaire / Table of content / Inhalt

| Page / Seiten | Intitulé / Description / Inhalt |
|------------------|---|
| 2 | Sommaire |
| 3 | Coques / Hulls / Rümpfe |
| 4-7 | Traverse avant / Front crossbar / Vorderholm |
| 8-9 | Foc autovireur / Self-tacking system / Selbswende Fock-System |
| 10 | Traverse arrière / Rear crossbar / Achterholm |
| 11 | Trampoline mesh / Mesh trampoline / Netztrampoline |
| 12-13 | Mât / Mast |
| 14 | Barres de flèche / Spreader bars / Saling Bausatz |
| 15 | Bôme / Boom / Baum |
| 16 | Jeu de câbles avec enrouleur / Wire set with furler / Käbelsatz mit Roller |
| 17 | Jeu de cables Race / Race wire set / Race Käbelsatz |
| 18 | Haubans / Shrouds / Wanten |
| 19 | Trapèze barreur / Skipper Trapeze / HelmsmannTrapez |
| 20 | Trapèze équipier / Crew trapeze / Crew Trapez |
| 21-22 | Gouvernail / Rudder assembly / Ruderanlage |
| 23-24 | Barre d'accouplement & stick / Tiller crossbar & extension / Anlenkstange & Pinne |
| 25-26 | Grand-voile / Main sail / Großsegel |
| 27 | Palan de grand-voile / Mainsheet system / Großschot-System |
| 28 | Foc / Jib / Fock |
| 29 | Tangon de spi / Spinnaker boom / Spibaum |
| 30 | Kit de spinnaker / Spinnaker kit |
| 31 | Kit ailes sport / Sport wing kit / Kit Sport Wing |
| 32 | kit ailes confort / Comfort wing kit / Kit Comfort Wing |
| 33 | Contact |

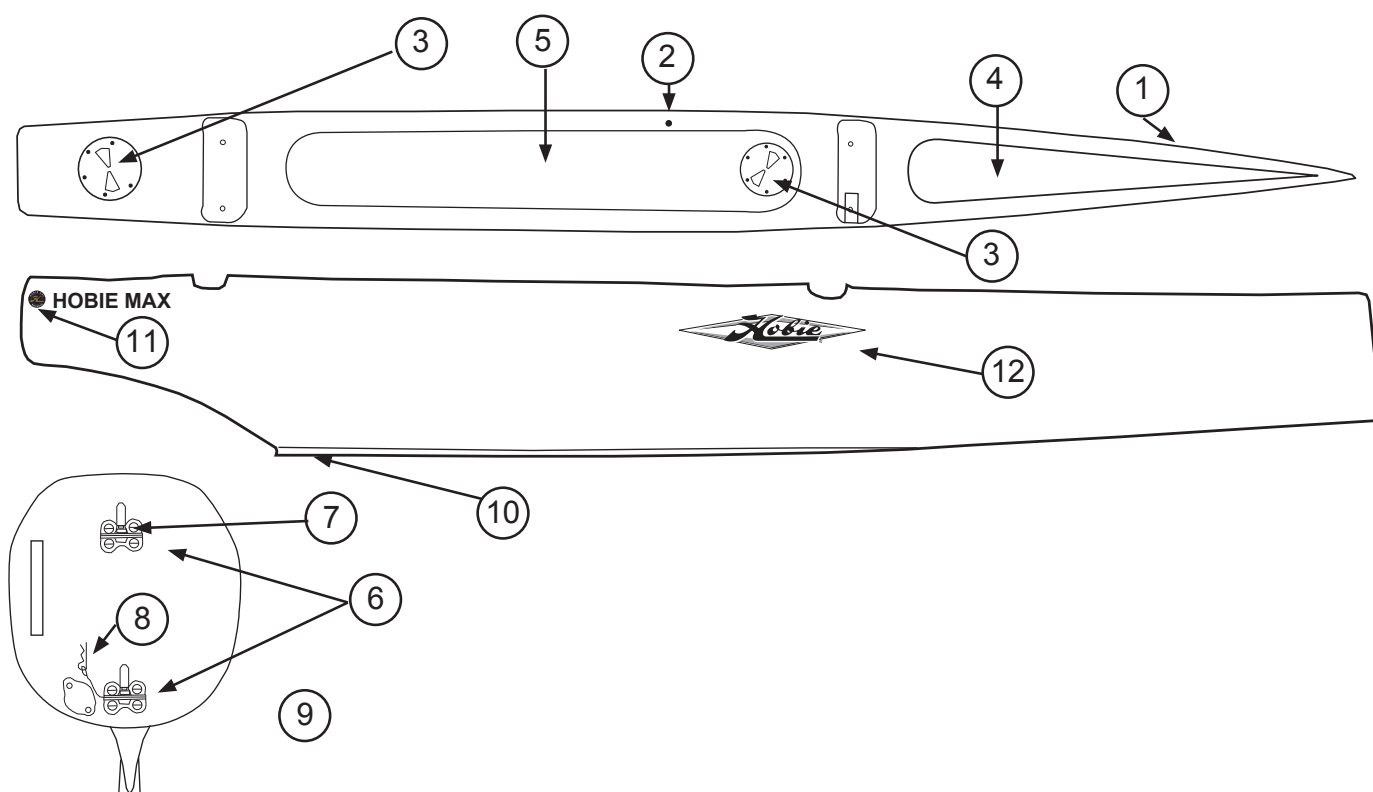
HOBIE MAX (club-sport-race)

Eclaté des pièces détachées / Illustrated Part Guide / Explosionszeichnung

Coques / Hulls / Rümpfe

| N° | REF | Designation/Description/Beschreibung |
|----|----------|--|
| | 16256050 | Coque gauche / Left hull / Rumpf links |
| | 16256060 | Coque droite / right hull / Rumpf rechts |
| 1 | 99061405 | Cadène fil / Bow plate / Hahnpot-Platte |
| | 99220012 | Ecrou indessérable / Nylstop nut D8 / Selbstsichernde Mutter D8 (x10) |
| 2 | 21056028 | Vis cadène hauban Anchor pin shroud Schraube für Püttingeisen |
| | 99220260 | Rondelle nylon / Nylon washer / Nylon Unterlegscheibe D20 x10.2x1 |
| 3 | 18056033 | Trappe de visite 125 mm avec joint Inspection port 125 mm with gasket Luckendeckel 125 mm mit Dichtung |
| | 18056038 | Joint mousse / Foam gasket / |
| | 99220090 | Vis / Screw / Schraube TFBZ 3.9x13 (x10) |
| 4 | 16290070 | Capots avant Decks front Bedeckungen vorne |
| 5 | 16290075 | Capots milieu Decks middle Bedeckungen Mitte |
| 6 | 99056047 | Fémelot / Gudgeon / Heckbeschlag |
| 7 | 99226150 | Vis / Screw / Schraube TCF 6x35 |

| N° | REF | Designation/Description/Beschreibung |
|--|----------|---|
| 8 | 16262120 | Goupille + cable + vis Retaining clip + cable + screw Sicherungsclip + Kabel + Schraube |
| | | |
| 9 | 99220074 | Vis TF bouchon (x10) Screw TF plug (x10) Ablassplatte-Schraube (x10) |
| | 99056012 | Platine bouchon vidange Drain plug housing Platine f. Ablasschraube |
| | 99220041 | Joint bouchon vidange (x10) Drain plug gasket (x10) Dichtung für Ablasschraube (x10) |
| | 99220040 | Bouchon vidange / Drain plug / Ablasschraube (x10) |
| 10 | 16256100 | Quille / Keel / Kiel |
| | 99500550 | Vis / Screw / Schraube TFPZ 5.5x60 |
| 11 | 99500440 | Taquet / Cleat / Klemme |
| | 99220460 | Vis / Screw / Schraube TFF 4x60 |
| | 99226003 | Ecrou / Nut / Mutter D4 |
| Autocollants coques / Hull stickers / Rumpf-Aufkleber | | |
| | 79545 | Dome Hobie Gold |
| | 12451060 | Hobie Diamond noir |



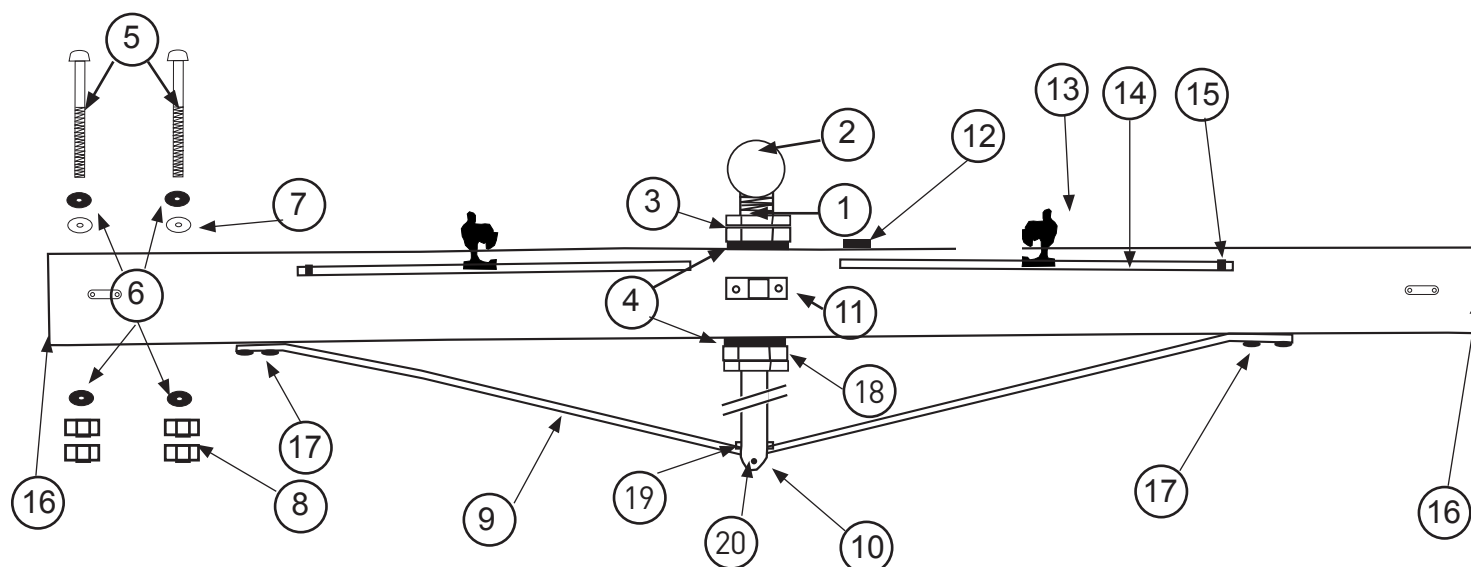
HOBIE MAX (club-sport)

Eclaté des pièces détachées / Illustrated Part Guide / Explosionszeichnung

Traverse avant / Front Crossbar / Vorderholm

| N° | Ref | Designation/Description/Beschreibung |
|----|----------|---|
| | 16262510 | Traverse avant Front Crossbar Vorderholm |
| 1 | 18062680 | Etai de martingale Dolphin striker post Unterzug gebohrt |
| 2 | 21062673 | Emplanture de mât Mast step ball Mastfußkugel |
| 3 | 99220104 | Ecrou HU D16 Nut HU D16 Mutter HU D16 |
| 4 | 99220100 | Rondelle D16 (x10) Washer D16 (x10) Unterlegscheibe D16 (x10) |
| 5 | 99220335 | Vis TH-B17 Spe 10 x 150/50 Screw TH-B17 Spe 10 x 150/50 Schraube TH-B17 Spe 10 x 150/50 |
| 6 | 99220059 | Rondelle D10 (x10) Washer D10 (x10) Unterlegscheibe D10 (x10) |
| 7 | 99220260 | Rondelle D10.2 nylon (x10) Nylon washer D10.2 (x10) Nylon Unterlegscheibe D10.2 (x10) |
| 8 | 99220009 | Ecrou / Nut / Mutter HUD10 (x10) |
| 9 | 99301730 | Martingale Dolphinstriker Unterzug |

| N° | Ref | Designation/Description/Beschreibung |
|----|----------|--|
| 10 | 21000010 | Support étau de martingale striker bar fastening Unterzug Fuß |
| 11 | 16056025 | Articulation inox tangon (option) Spi pole articulation inox (option) Verbindung Spibaum inox (option) |
| 12 | 99500416 | Taquet enrouleur Furler cleat Wicklerklemme |
| | 99220375 | Vis / Screw / Schraube TF Pozi3.9x16 |
| 13 | 99500740 | Poulie d'écoute de foc + chariot Jib sheet block + traveler car Fockshotblock u. Traveler |
| 14 | 99500710 | Rail d'écoute de foc Jib sheet track Fockschotschiene |
| | 99220101 | Vis / Screw / Schraube TCLF 4,8x19 |
| 15 | 21062521 | Embout de rail track end cap Schiene-Endstück |
| 16 | 18062741 | Bouchon traverse av gauche Front beam cap left Vorderholmendstück links |
| | 18062742 | Bouchon traverse av droit Front beam cap right Vorderholmendstück rechts |



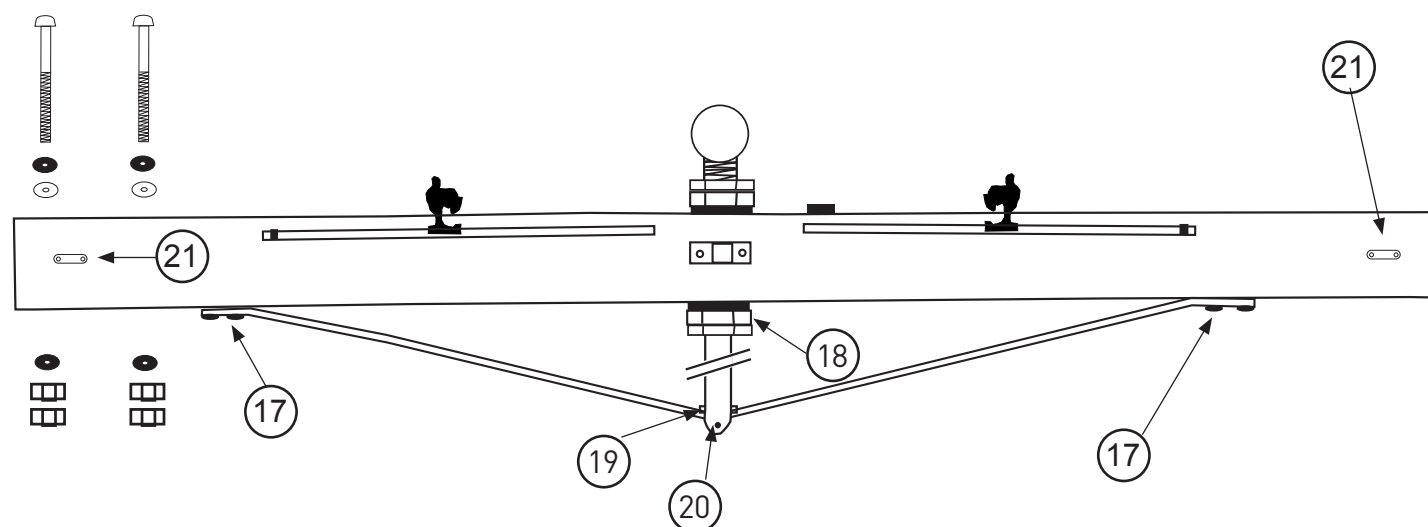
HOBIE MAX (club-sport)

Eclaté des pièces détachées / Illustrated Part Guide / Explosionszeichnung

Traverse avant / Front Crossbar / Vorderholm

| N° | Ref | Designation/Description/Beschreibung |
|----|----------|--|
| | 16262510 | Traverse avant Front Crossbar Vorderholm |
| 17 | 99221123 | Vis / Screw / Schraube TCL 8x30 |
| | 99220012 | Ecrou indessérable D8 (x10) Nylstop nut D8 (x10) Selbstsichernde Mutter D8 (x10) |
| | 99061110 | Rondelle / Washer / Unterlegscheibe D8 |
| 18 | 99220146 | Ecrou / Nut / Mutter HU D16 |
| 19 | 99220332 | Vis / Screw / Schraube TH 5x35 |
| | 99220015 | Ecrou indessérable D5 (x10) Nylstop nut D5 (x10) Selbstsichernde Mutter D5 (x10) |

| N° | Ref | Designation/Description/Beschreibung |
|----|----------|--|
| 20 | 99220022 | Vis / Screw / Schraube TH 6x70 |
| | 99220019 | Ecrou indessérable D6 (x10) Nylstop nut D6 (x10) Selbstsichernde Mutter D6 (x10) |
| 21 | 99220057 | Pontet forgé D5 Eye strap Guseisenbeschlag |
| | 99220209 | Renfort pontet / Pad-eye reinforcement/ Bügel-Verstärkerung |
| | 99220332 | Vis / Screw / Schraube TH 5x35 (x10) |
| | 99220083 | Rondelle / Washer / Unterlegscheibe MD5 |
| | 99220015 | Ecrou / Nut / Mutter D5 (x10) |

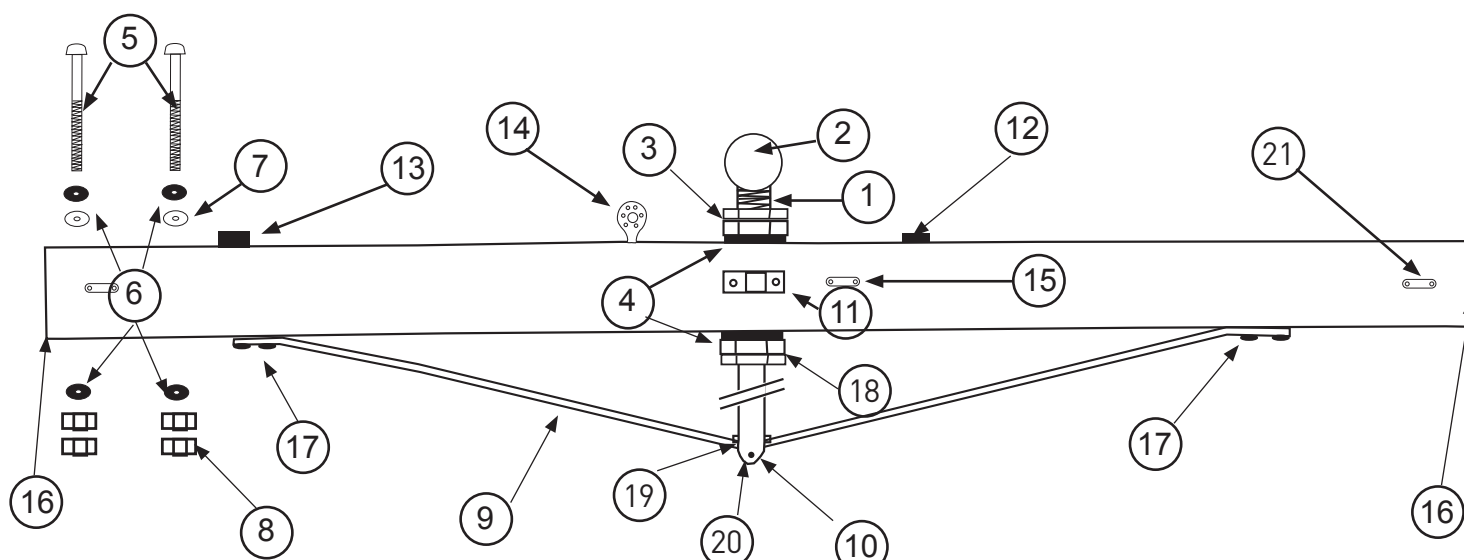


HOBIE MAX RACE

Eclaté des pièces détachées / Illustrated Part Guide / Explosionszeichnung

Traverse avant / Front Crossbar / Vorderholm

| N° | Ref | Designation/Description/Beschreibung | N° | Ref | Designation/Description/Beschreibung |
|----|----------|---|----|----------|---|
| | 16262500 | Traverse avant Front Crossbar Vorderholm | 10 | 21000010 | Support étau de martingale striker bar fastening Unterzug Fuß |
| 1 | 18062680 | Étau de martingale Dolphin striker post Unterzug gebohrt | 11 | 16056025 | Articulation inox tangon Spi pole articulation inox Verbindung Spibaum inox |
| 2 | 21062673 | Emplanture de mât Mast step ball Mastfußkugel | 12 | 99500416 | Taquet enrouleur Furler cleat Wicklerklemme |
| 3 | 99220104 | Ecrou HU D16 Nut HU D16 Mutter HU D16 | | 99220375 | Vis / Screw / Schraube TF Pozi3.9x16 |
| 4 | 99220100 | Rondelle D16 (x10) Washer D16 (x10) Unterlegscheibe D16 (x10) | 13 | 99500376 | Taquet Clamcleat racing junior Clam cleat racing junior Klemmen Clamcleat racing junior |
| 5 | 99220335 | Vis TH-B17 Spe 10 x 150/50 Screw TH-B17 Spe 10 x 150/50 Schraube TH-B17 Spe 10 x 150/50 | 14 | 17070150 | Poulie étarquage simple Block single Block einzig |
| 6 | 99220059 | Rondelle D10 (x10) Washer D10 (x10) Unterlegscheibe D10 (x10) | | 99220057 | Pontet forgé D5 / Eye pad / Bügel |
| 7 | 99220260 | Rondelle D10.2 nylon (x10) Nylon washer D10.2 (x10) Nylon Unterlegscheibe D10.2 (x10) | 15 | 60010950 | Pontet nylon kayak Nylon eye-pad kayak Bügel Nylon Kajak |
| 8 | 99220009 | Ecrou / Nut / Mutter HUD10 (x10) | 16 | 18062741 | Bouchon traverse av gauche Front beam cap left Vorderholmendstück links |
| 9 | 99301730 | Martingale Dolphinstriker Unterzug | | 18062742 | Bouchon traverse av droit Front beam cap right Vorderholmendstück rechts |



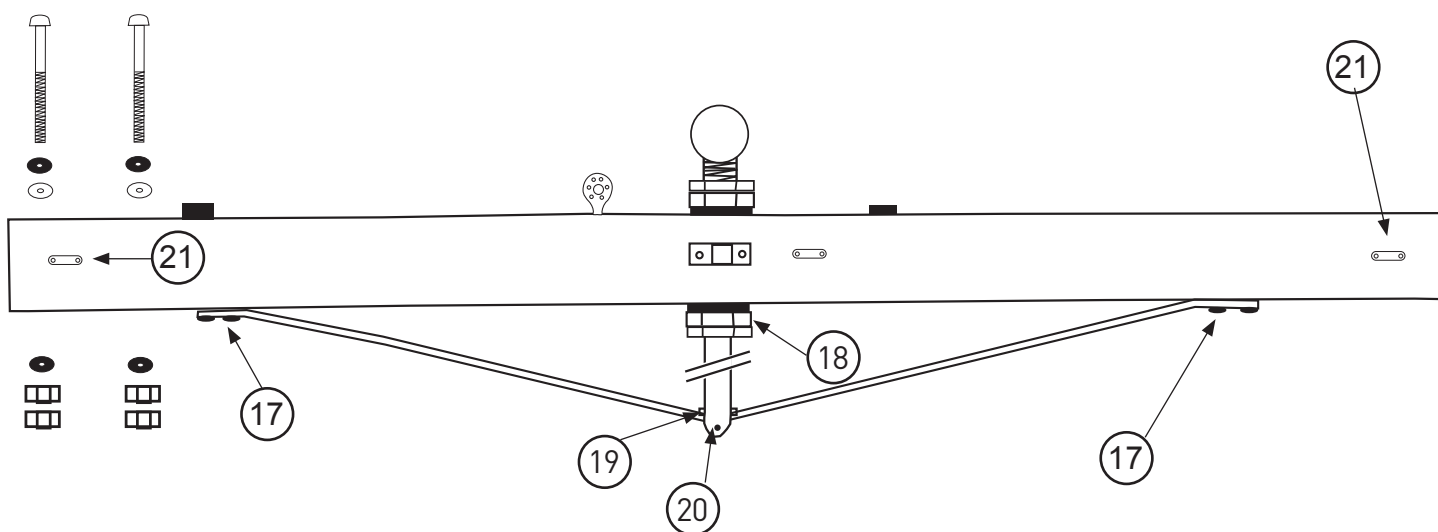
HOBIE MAX RACE

Eclaté des pièces détachées / Illustrated Part Guide / Explosionszeichnung

Traverse avant / Front Crossbar / Vorderholm

| N° | Ref | Designation/Description/Beschreibung |
|----|----------|--|
| | 16262500 | Traverse avant Front Crossbar Vorderholm |
| 17 | 99221123 | Vis / Screw / Schraube TCL 8x30 |
| | 99220012 | Ecrou indessérable D8 (x10) Nylstop nut D8 (x10) Selbstsichernde Mutter D8 (x10) |
| | 99061110 | Rondelle / Washer / Unterlegscheibe D8 |
| 18 | 99220146 | Ecrou / Nut / Mutter HU D16 |
| 19 | 99220332 | Vis / Screw / Schraube TH 5x35 |
| | 99220015 | Ecrou indessérable D5 (x10) Nylstop nut D5 (x10) Selbstsichernde Mutter D5 (x10) |

| N° | Ref | Designation/Description/Beschreibung |
|----|----------|--|
| 20 | 99220022 | Vis / Screw / Schraube TH 6x70 |
| | 99220019 | Ecrou indessérable D6 (x10) Nylstop nut D6 (x10) Selbstsichernde Mutter D6 (x10) |
| 21 | 99220057 | Pontet forgé D5 Eye strap Guseisenbeschlag |
| | 99220209 | Renfort pontet / Pad-eye reinforcement/ Bügel-Verstärkerung |
| | 99220332 | Vis / Screw / Schraube TH 5x35 (x10) |
| | 99220083 | Rondelle / Washer / Unterlegscheibe MD5 |
| | 99220015 | Ecrou / Nut / Mutter D5 (x10) |



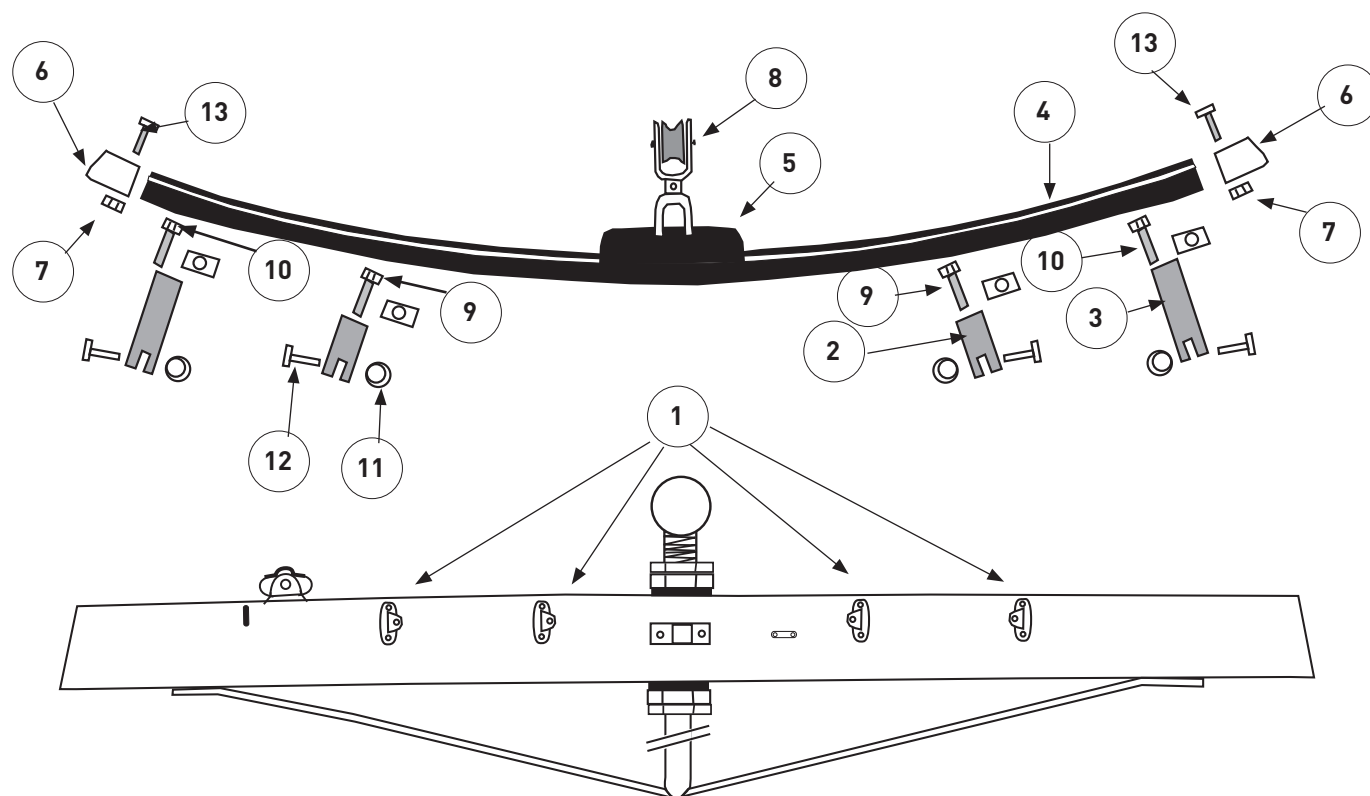
HOBIE MAX RACE

Eclaté des pièces détachées / Illustrated Part Guide / Explosionszeichnung

Foc autovireur / Self-tacking jib / Selbstwende Fock

| N° | Ref | Designation/Description/Beschreibung |
|------|----------|--|
| 1-22 | 18080335 | Accastillage foc autovireur dlx Self-tacking jib rigging dlx Rigsack für Selbstwende Fock-System |
| 1-18 | 18080330 | Accastillage foc autovireur basic Self-tacking jib rigging basic Rigsack für Selbstwende Fock-System |
| 1 | 99000200 | Base support inox Track support bracket Fußschienenstutze |
| 2 | 99000210 | Support aluminium (court) Track support alu (short) Schienenstutze (kurz) |
| 3 | 99000211 | Support aluminium long Track support alu (long) Schienenstutze (lang) |
| 4 | 99500830 | Rail de foc incurvé Curved track Fockschiene (gebogen) |
| 5 | 99500810 | Chariot de foc / Jib car / Focktraveller |

| N° | Ref | Designation/Description/Beschreibung |
|----|----------|--|
| 6 | 99500820 | Kit embout de rail End stop kit Fockwagenstopper |
| 7 | 99220015 | Ecrou indessérable 5mm (x10) Nylstop nut 5mm (x10) Selbtsichernde Mutter (x10) |
| 8 | 99500850 | Poulie simple (29 mm) 29 mm carbo block Holepunktumlenkrolle |
| 9 | 99220014 | Vis / Screw / Schraube TH 5x25 (x10) |
| 10 | 99220320 | Vis / Screw / Schraube TFF 5x60 (x10) |
| 11 | 99220031 | Anneau brisé (x10) Ring clip (x10) Ringsplint (x10) |
| 12 | 99220047 | Axe percé 5x20 (x5) Clevis pin 5x20 (x5) Bolzen gebohrt 5x20 (x5) |
| 13 | 99220199 | Vis / Screw / Schraube TFBF 5x30 |



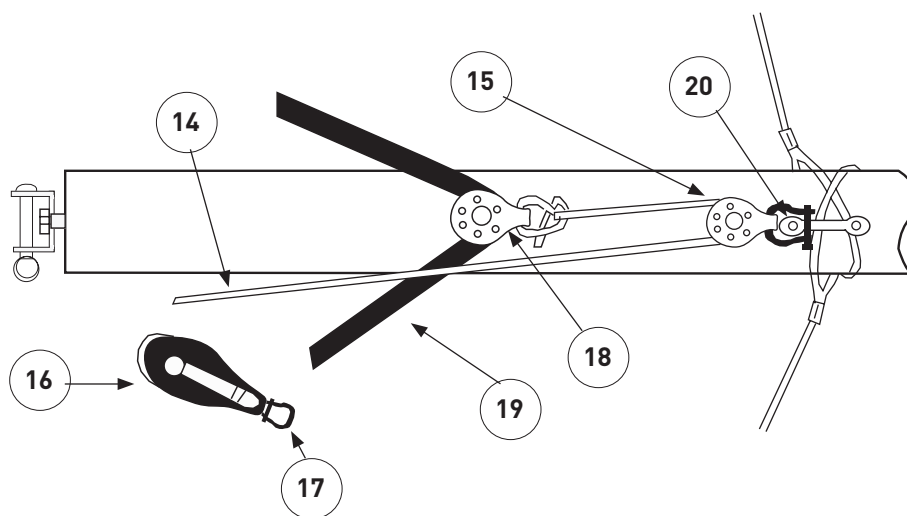
HOBIE MAX RACE

Eclaté des pièces détachées / Illustrated Part Guide / Explosionszeichnung

Foc autovireur / Self-tacking jib / Selbstwende Fock

| N° | Ref | Designation/Description/Beschreibung |
|----|----------|--|
| | 18770419 | limitateur chariot de foc |
| 14 | 99300545 | Cordage Spectra blanc Spectra line Spectra-Leine |
| 15 | 99500478 | Poulie Etarquage simple Micro block Microumlenkrolle |
| 16 | 99500850 | Poulie simple (29 mm) 29 mm carbo block Holepunktumlenkrolle |
| 17 | 99220036 | Manille lyre D4 (x10) Shackle D4 (x10) Schäkel D4 (x10) |

| N° | Ref | Designation/Description/Beschreibung |
|----|----------|--|
| 18 | 17070150 | Poulie simple H224 Single block H224 Block einzig H224 |
| 19 | 18060418 | Ecoute de foc TI/FX Jib sheet TI/FX Fockschot TI/FX |
| 20 | 60010950 | Pontet nylon Nylon eye strap Nylon-Guseisenbeschlag |



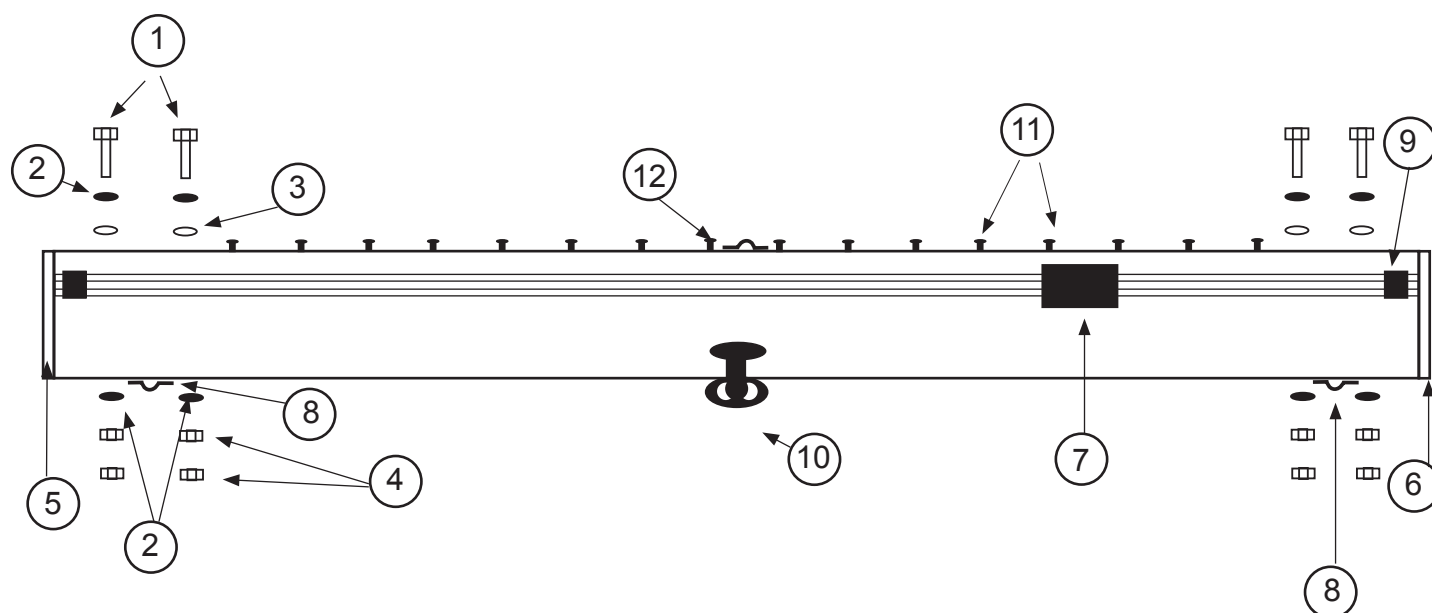
HOBIE MAX (club-sport-race)

Eclaté des pièces détachées / Illustrated Part Guide / Explosionszeichnung

Traverse arrière / Rear crossbar / Achterholm

| N° | Ref | Designation/Description/Beschreibung |
|----|----------|---|
| | 16262600 | Traverse arrière Rear crossbar Achterholm |
| 1 | 99220335 | Vis TH 10 x 150 x 50 Crossbar bolt Holmbolzen |
| 2 | 99220059 | Rondelle D10 (x10) Washer D10 (x10) Unterlegscheibe D10 (x10) |
| 3 | 99220260 | Rondelle D10.2 nylon (x10) Nylon washer D10.2 (x10) Nylon Unterlegscheibe D10.2 (x10) |
| 4 | 99220009 | Ecrou HU D10 (x10) Nut HU D10 (x10) Mutter HU D10 (x10) |
| 5 | 18062744 | Bouchon traverse AR droit Beam end cap rear right Achterholmendstück hint. rechts |
| 6 | 18062743 | Bouchon traverse AR gauche Beam end cap rear left Achterholmendstück hint. links |
| 7 | 99500255 | Chariot de grand-voile Traveller car Großtraveller |
| | 21060056 | Jeu de 74 billes chariot GV Set of 74 traveller car ball bearings |

| N° | Ref | Designation/Description/Beschreibung |
|----|----------|---|
| 8 | 99220057 | Pontet forgé D5 Eye strap Guseisenbeschlag |
| | 99220209 | Renfort pontet / Pad-eye reinforcement/ Bügel-Verstärkerung |
| | 99220332 | Vis / Screw / Schraube TH 5x35 (x10) |
| | 99220083 | Rondelle / Washer / Unterlegscheibe MD5 |
| | 99220015 | Ecrou / Nut / Mutter D5 (x10) |
| 9 | 21062521 | Embout rail d'écoute grand voile Traveller track end stop Travellerschiene Endstück |
| | 99220030 | Rondelle néoprène neoprene Washer Unterlegscheibe Neoprene |
| | 99220115 | Vis / Screw / Schraube TFF 5x20 |
| 10 | 99500467 | Tourelle taquet carbo H241 Swivel Camcleat carbo H241 Drehklemme CARBO H241 |
| 11 | 99500700 | Crochet de laçage trampoline Trampoline lacing post (x16) |
| | 99216040 | Rivet inox 4x16 (x10) Stainless steel Rivet 4x16 (x10) Popniete inox 4x16 (x10) |
| 12 | 99220215 | Pontet / Eye strap / Bügel R2792 |

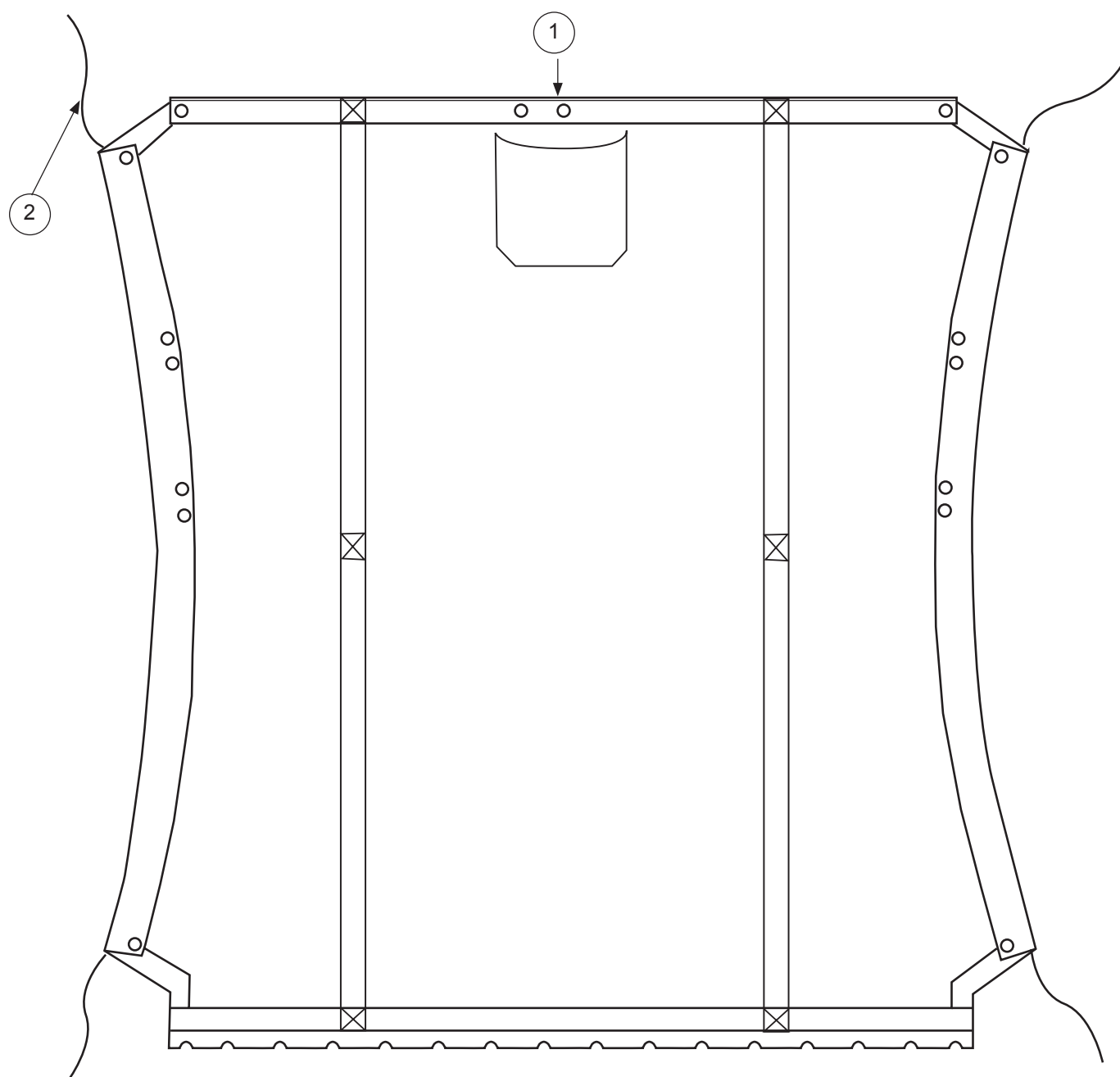


HOBIE MAX (club-sport-race)

Eclaté des pièces détachées / Illustrated Part Guide / Explosionszeichnung

Trampoline 1 pièce / 1-piece trampoline / Trampoline 1-teilig

| N° | Ref | Designation/Description/Beschreibung |
|----|----------|--|
| | 16225800 | Trampoline mesh Mesh trampoline Netztrampoline |
| 1 | 16225000 | Jonc Trampoline Tiger Fibreglass lacing rod Fibreglasstange |
| 2 | 17570480 | Bout latéral de trampoline Trampoline side Lacing line Trampoline-Seiteleine |

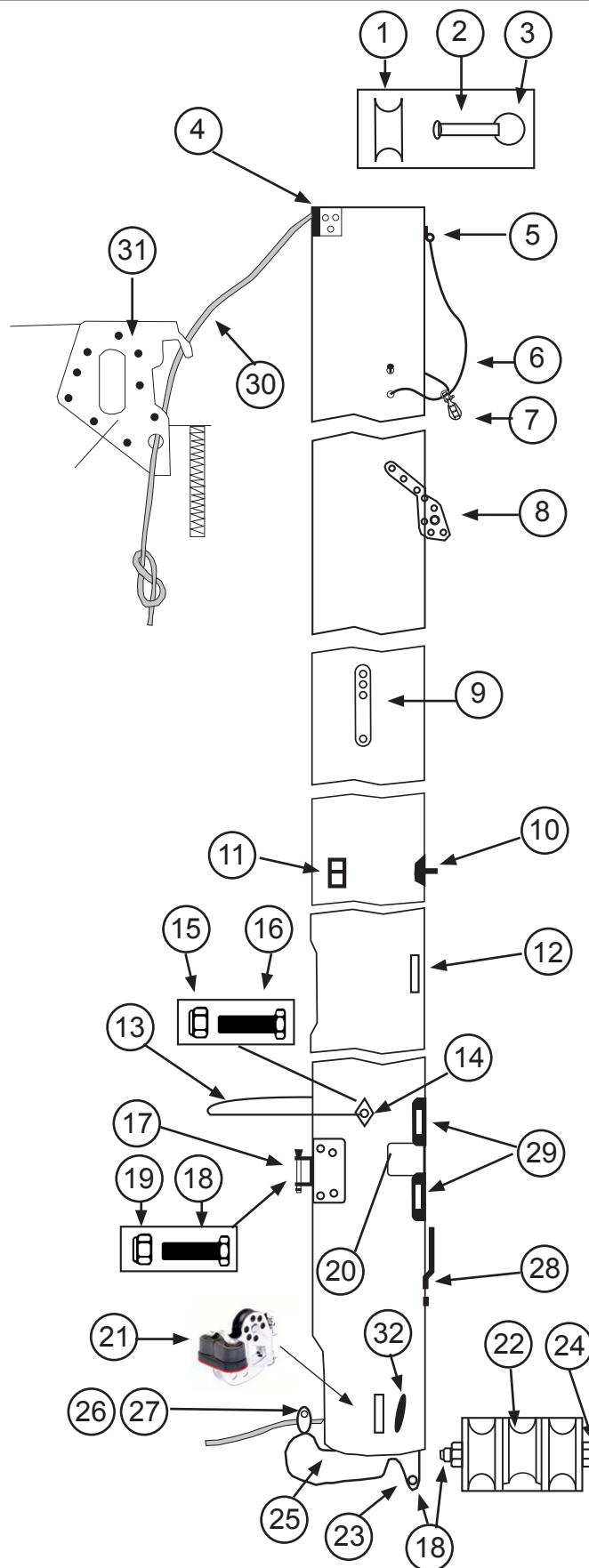


HOBIE MAX (club-sport-race)

Eclaté des pièces détachées / Illustrated Part Guide / Explosionszeichnung

Mât / Mast

| N° | Ref | Designation/Description/Beschreibung |
|----|----------|---|
| | 16242700 | Mât / Mast |
| | 16242750 | Mât 2 pièces / 2-piece mast / 2-teiliger Mast |
| 1 | 99041011 | Rea alu D20 Aluminium sheave D20 Alu Rolle D20 |
| 2 | 99220047 | Axe percé vit mulet (x5) Clevis pin gooseneck (x5) Bolzen gebohrt f. Lümelbeschlag (x5) |
| 3 | 99220031 | Anneau brisé (x10) Split ring (x10) Ringsplint (x10) |
| 4 | 20041755 | Fixation du hook Hook fastening Haken-Befestigung |
| 5 | 99220238 | Ferrure fixation trav & mat Crossbar & mast fittings Befestigungsbeschlag mast holm |
| 6 | 99300510 | Cordage collier de spi D4 Mast rope spi D4 Mastleine Spi D4 |
| 7 | 99501560 | Poulie simple carbo drisse spi Carbo block spi halyard Spinnakerfall-Block carbo |
| 8 | 21041720 | Ferrure de capelage Mast tang Mastbeschlag |
| 9 | 21080511 | Barrette cable de flèche Diamond wire holder Salingdraht-Mastbeschlag |
| 10 | 99064025 | Ferrure inox barre flèche Inox spreader anchor plate Saling Inox Platte |
| 11 | 99064030 | Ferrure alu barre flèche Spreader anchor plate alu Saling Alu Platte |
| 13 | 17060302 | Bras de rotation de mât Mast rotator Rotationsarm |
| 14 | 18062717 | Plaque de compression Mast rotator compression plate Rotationsarm-Mastplatte |

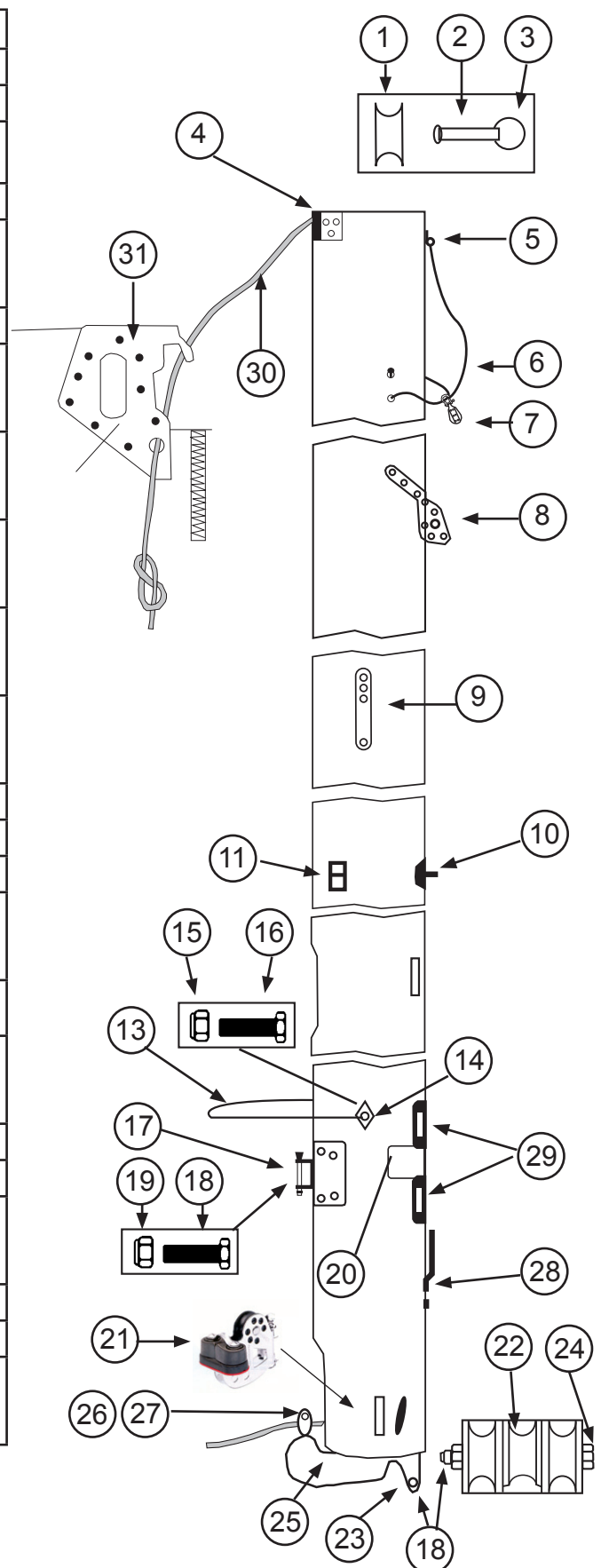


HOBIE MAX (club-sport-race)

Eclaté des pièces détachées / Illustrated Part Guide / Explosionszeichnung

Mât / Mast Hobie 16 Race

| N° | Ref | Designation/Description/Beschreibung |
|----|----------|--|
| | 16242700 | Mât / Mast |
| | 16242750 | Mât 2 pièces / 2-piece mast / 2-teiliger Mast |
| 15 | 99220012 | Ecrou indessérable / Nylstop nut / Selbstsichernde Mutter D8 (x10) |
| 16 | 99220307 | Vis / Screw / Schraube TH 8x110 (x10) |
| 17 | 18011865 | Embase de vit mulet Gooseneck base Lümmel-Mastbeschlag |
| 18 | 99220311 | Vis /screw / Schraube TH 6x35 (x10) |
| 19 | 99220019 | Ecrou nylstop 6 (x10) Nylstop nut 6 (x10) Selbstsichernde Mutter 6 (x10) |
| 20 | 14041723 | Autocollant de sécurité Mast caution label Sicherheitsaufkleber |
| 21 | 99080540 | Tourelles cunningham Dowhaul swivel clamcleat Drehklemme Vorliekstrecker |
| | 99080545 | Platine tourelle Clamcleat fitting Drehklemme-Platte |
| 22 | 17041750 | Réa de vit mulet Gooseneck sheave Lümmelbeschlag Rolle |
| 23 | 99500332 | Vis / Screw / Schraube 6x60 (x10) |
| 24 | 99220022 | Vis / Screw / Schraube TH 6x70 |
| 25 | 18000050 | Base de mât /Mast base /Mastfußpfanne |
| 26 | 14061245 | Axe barre 6x32 Tiller connection pin Anlenkstange Bolzen |
| 27 | 99500114 | Poulie simple / Single block / Block einfach |
| 28 | 18080501 | Barrette ridoire câble de flèche (x2) Turnbuckle anchor plate (x2) Salingspanner-Platte (x2) |
| | 99180005 | Ridoire câble / Turnbuckle / Salingspanner |
| | 99180015 | Tôle + axe / Support + pin / |
| 29 | 99180010 | Tôle réglable câble de flèche Bottlescrew shield plate Salingspanner-Schutzplatte |
| 30 | 18770404 | Drisse de GV / Main halyard / Großfallleine |
| 31 | 20041750 | Hook de GV / Main hook / Großsegelhaken |
| | 99210050 | Rivets bouchon étanche (x10) Waterproof rivet (x10) Wasserdicht-Popniete (x10) |

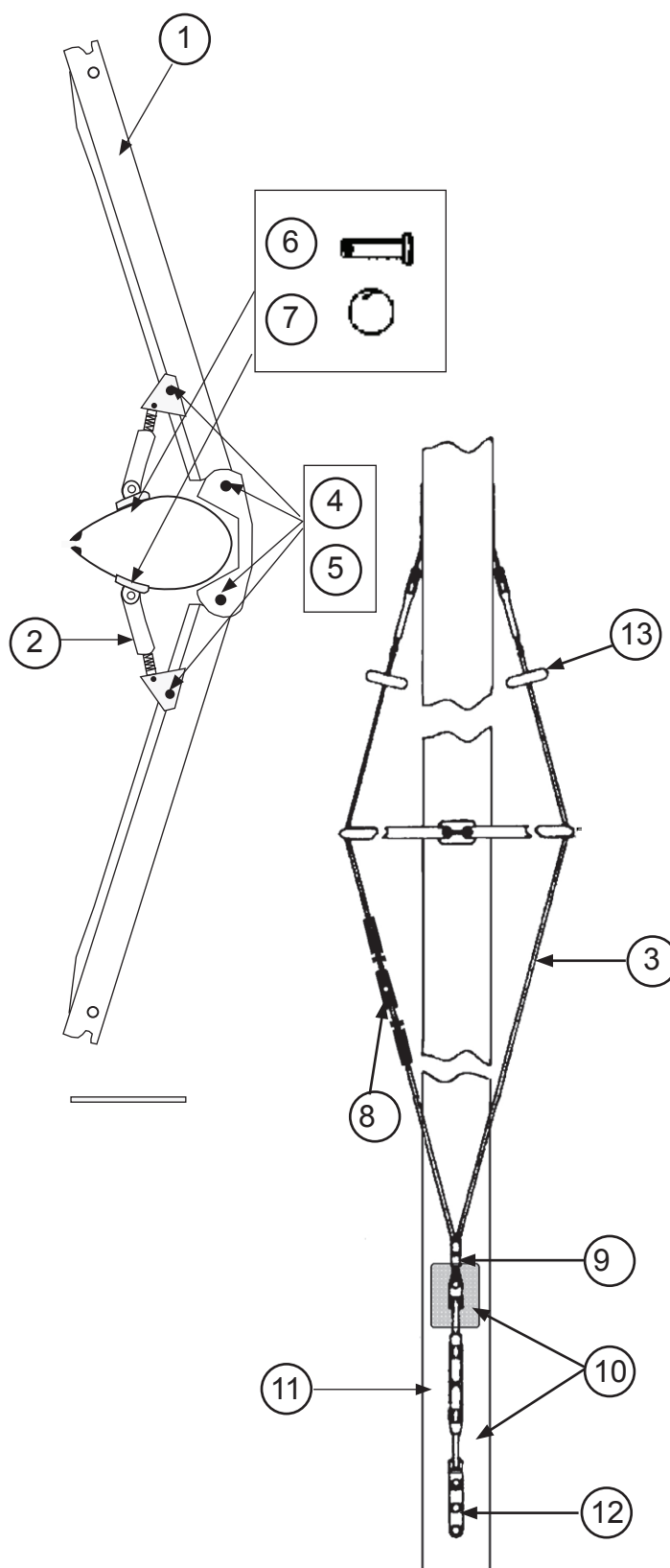


HOBIE MAX (club-sport-race)

Eclaté des pièces détachées / Illustrated Part Guide / Explosionszeichnung

Barres de flèches / Spreader bars / Saling Bausatz

| N° | Ref | Designation/Description/Beschreibung |
|------|----------|---|
| 1-12 | 16280310 | Sac accastillage Max Race Rigging bag Max Race Rigsack Max Race |
| 1-12 | 16280320 | Sac accastillage Max Club/Sport Rigging bag Max Club/Sport Rigsack Max Club/Sport |
| 1 | 99064035 | Kit barre de flèche alu Spreader assembly Salingbausatz |
| 2 | 99064005 | Ensemble ridoir et support alu Spreader rake adjuster barrel |
| 3 | 18060565 | Cable de flèche Diamond wire Diamondwant |
| 4 | 99064020 | Vis D4 barre de flèche 03 Screw D4 Schraube D4 |
| 5 | 99226003 | Ecrou indessérable D4 Nylstop nut D4 Selbstsichernde Mutter |
| 6 | 99064010 | Axe percé barre de flèche Spreader clevis pin Salingachse |
| 7 | 99064015 | Anneau brisé Split ring Ringsplint |
| 8 | 99180020 | Ridoir à vis 2 câbles Adjuster with screw 2 wires Locheisen 2 Käbel |
| 9 | 99180015 | Tole + axe ridoir câble de flèche Diamond anchor plate + pin |
| 10 | 99180010 | Tole réglage câble de flèche Shield plate Einstellplatte |
| 11 | 99180005 | Ridoir à vis câble de flèche Turnbuckle Salingspanner |
| 12 | 18080501 | Barette ridoir (x2) Turnbuckle anchor plate (x2) Salingspanner-Verankerung (x2) |
| 13 | 18060563 | Kit protège foc Plastic roller-diamond wire Kit Fockschutz |

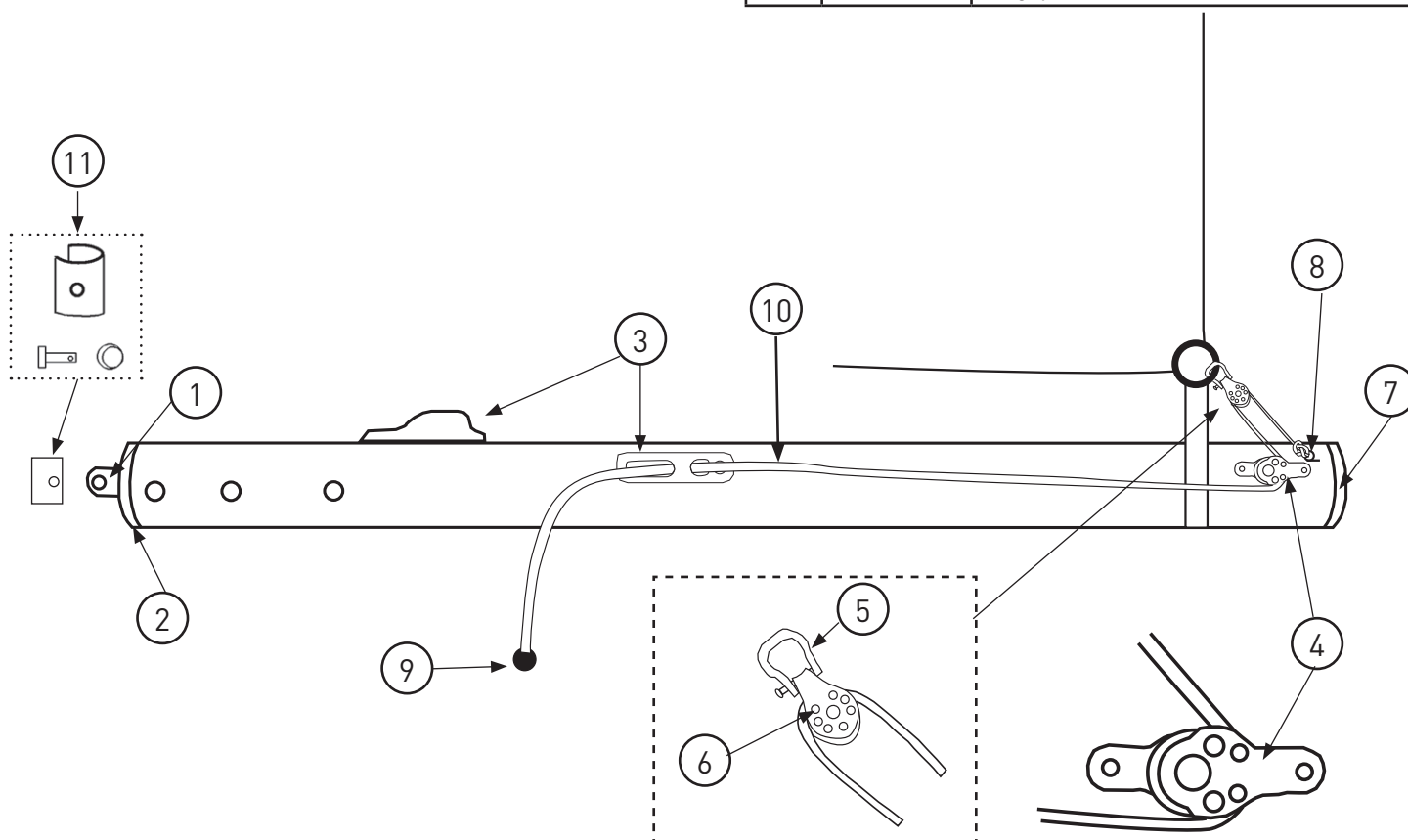


HOBIE MAX (club-sport-race)

Eclaté des pièces détachées / Illustrated Part Guide / Explosionszeichnung

Bôme / Boom / Baum

| N° | Ref | Designation/Description/Beschreibung | N° | Ref | Designation/Description/Beschreibung |
|----|----------|--|----|----------|---|
| | 16212800 | Bôme / Boom / Baum | | | |
| 1 | 14011820 | Ancrage vit mulet Gooseneck fastening Bauteil f. Lümmelbeschlag | 7 | 99220202 | Bouchon à ailette D40 (x10) End cap (x10) Endstück (x10) |
| 2 | 17569000 | Embout de bôme FX1 D40 percé Boom end cap drilled Baumendkappe gebohrt | 8 | 57042790 | Ferrure de mouflage Pad-eye Guseisenbeschlag |
| 3 | 99500540 | Taquet coinreur Cam cleat Schotklemme | 9 | 99500103 | Boule d'arrêt (x5) Stop ball (x5) Kugelstopper (x5) |
| 4 | 99500490 | Poulie à plat pont Cheek block Liegeblock | 10 | 18770415 | Bout bordure bôme boom line Baumleine |
| 5 | 99220035 | Manille lyre 6 mm (x10) Shackle 6 mm (x10) Schäkel 6 mm (x10) | 11 | 14070351 | Charnière vit mulet Hinge vertex assembly. Lümmelbeschlag-Verbindungsakit |
| 6 | 99500478 | Poulie simple micro Single Block Block einzig | | 99220034 | Axe percé latte ridoir (x10) Clevis pin (x10) Bolzen f. Locheisen gebohrt (x10) |
| | | | | 99220031 | Anneau Brisé (x10) Split ring (x10) Ringsplint (x10) |

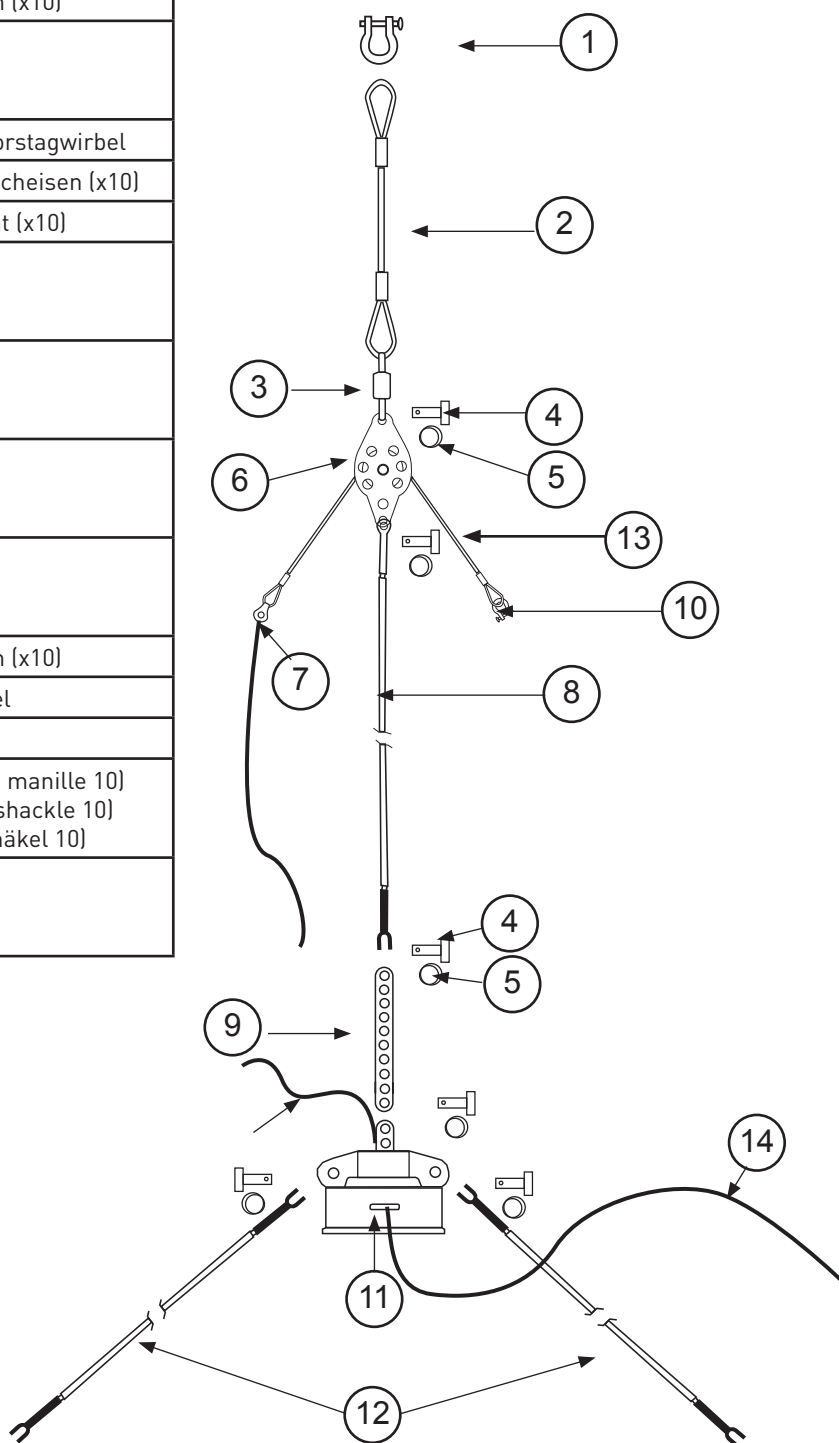


HOBIE MAX (club-sport)

Eclaté des pièces détachées / Illustrated Part Guide / Explosionszeichnung

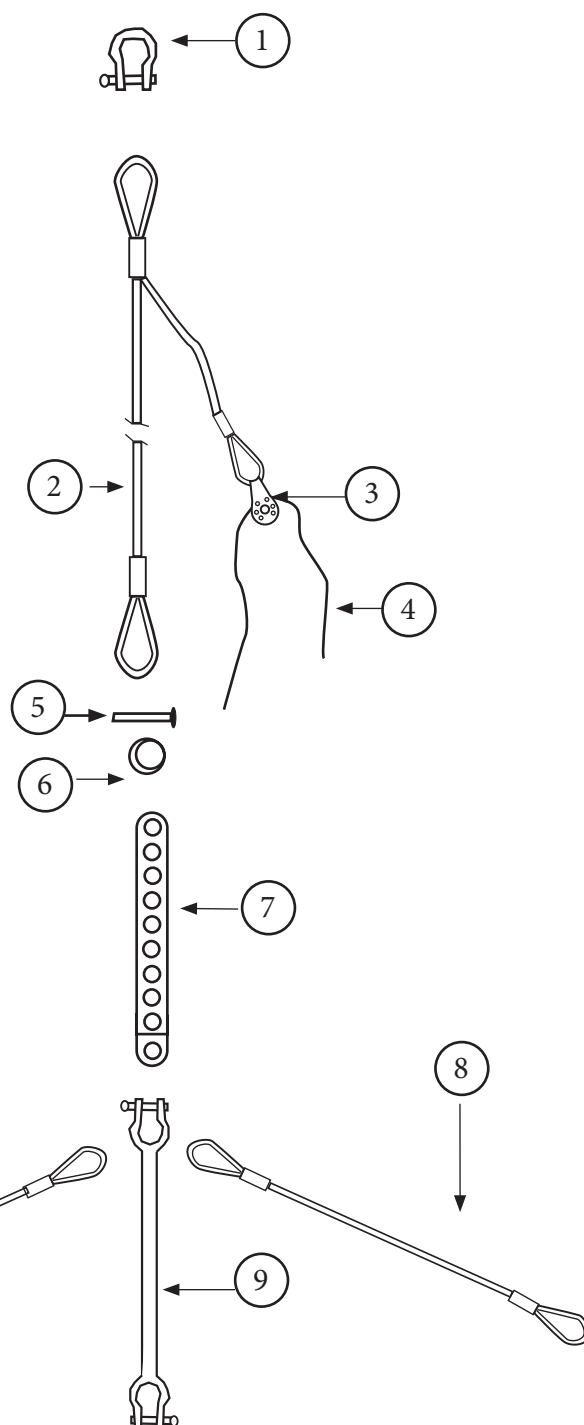
Câbles avec enrouleur / Wire set with Furler / Käbelsatz mit Fockroller

| N° | Ref | Designation/Description/Beschreibung |
|------|----------|---|
| 1-14 | 16260520 | Jeu de câbles / Wire set / Käbelsatz Club & Sport |
| 1 | 99220058 | Manille lyre / Shackle / Shäkel 8mm (x10) |
| 2-3 | 18560535 | Estrope + émerillon Pigtail + Swivel Pigtail + Wirbel |
| 3 | 18060590 | Emerillon / Forestay swivel / Fockvorstagwirbel |
| 4 | 99220034 | Axe percé / Clevis pin / Bolzen für Locheisen (x10) |
| 5 | 99220031 | Anneau brisé / Split ring / Ringsplint (x10) |
| 6 | 99500474 | Poulie simple ringot Single block Block einzig |
| 7 | 18080100 | Poulie simple micro Single block micro Block einzig micro |
| 8 | 16260535 | Etai câble pour enrouleur Forestay wire for jib furler Vorstagkabel für Rollertrommel |
| 9 | 99220350 | Latte ridoir enrouleur Stay adjuster furler Locheisen Rollfocktrommel |
| 10 | 99220036 | Manille lyre / Shackle / Shäkel 4mm (x10) |
| 11 | 21060150 | Enrouleur / Jib furler / Focktrommel |
| 12 | 16260585 | Bride / Bridle / Hahnepot |
| 13 | 16260555 | Drisse câble de foc (avec poulie 7 et manille 10) Jib halyard wire (with pulley 7 and shackle 10) Fockfall-Kabel (mit Block 7 und Schäkel 10) |
| 14 | 99300590 | Bout enrouleur Jib furler line Rollertrommel Leine |



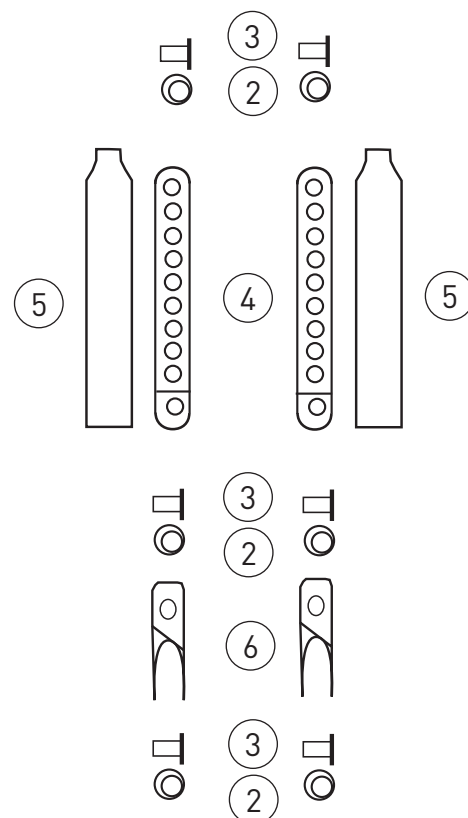
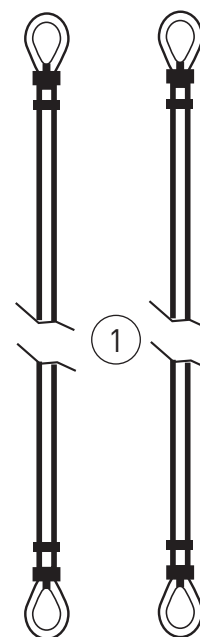
| |
|--|
| HOBIE MAX RACE |
| Eclaté des pièces détachées / Illustrated Part Guide / Explosionszeichnung |
| Câbles sans enrouleur / Wire set without Furler / Kâbelsatz ohne Fockroller |

| N° | Ref | Designation/Description/Beschreibung |
|----|----------|---|
| | 16260500 | Jeu de câbles Wire bag Kâbelsatz |
| 1 | 99220058 | Manille Lyre D8 /Shackle D8 /Schäkel D8 (x10) |
| 2 | 16260525 | Etai + estrope + poulie Forestay + pigtail + block Vostage + Pigtail + Block |
| 3 | 99500478 | Poulie simple micro Single block Block einzig |
| 4 | | Drisse de foc étarquage wildcat/ti Jib halyard rope Fockfall-Leine |
| 5 | 99220034 | Axe percé latte ridoir (x10) Clevis pin (x10) Bolzen f. Locheisen gebohrt (x10) |
| 6 | 99220031 | Anneau Brisé (x10) Split ring (x10) Ringsplint (x10) |
| 7 | 99220355 | Latte ridoir monobloc Stay adjuster Wantenspanner |
| 8 | 16260580 | Bride Bridle Hahnpot |
| 9 | 16260530 | Bride Etai rigide / Rigid forestay |



| | | | | |
|---|----------------|----------------|------------|---------------|
| Ref : ECL_MAX | Issued by : SD | Date : 03/2015 | Update : 4 | Page : 18/ 33 |
| HOBIE MAX (club-sport-race) | | | | |
| Eclaté des pièces détachées / Illustrated Part Guide / Explosionszeichnung | | | | |
| Haubans / Shrouds / Wanten | | | | |

| N° | Ref | Designation/Description/Beschreibung |
|-----|----------|--|
| 1 | 16260520 | Jeu de câbles / Wire set / Kábelsatz Club & Sport |
| 1 | 16260500 | Jeu de câbles / Wire set / Kábelsatz Race |
| 2-6 | 16280320 | Sac accastillage / Rig bag / Takelagebeutel Club & Sport |
| 2-6 | 16280310 | Sac accastillage / Rig bag / Takelagebeutel Race |
| 1 | 16080560 | Hauban / Shroud / Wanten Std/Race |
| 2 | 99220031 | Anneau brisé / Split ring / Ringsplint (x10) |
| 3 | 99220034 | Axe percé / Clevis pin / Bolzen für Locheisen (x10) |
| 4 | 99220033 | Latte ridoir universelle / Stay adjuster / Locheisen (x5) |
| 5 | 99500360 | Gaine latte ridoire / Shroud adjuster cover / Wantenschutz (x10) |
| 6 | 16060312 | Chape de hauban / Toggle / Wanten toggle (x10) |

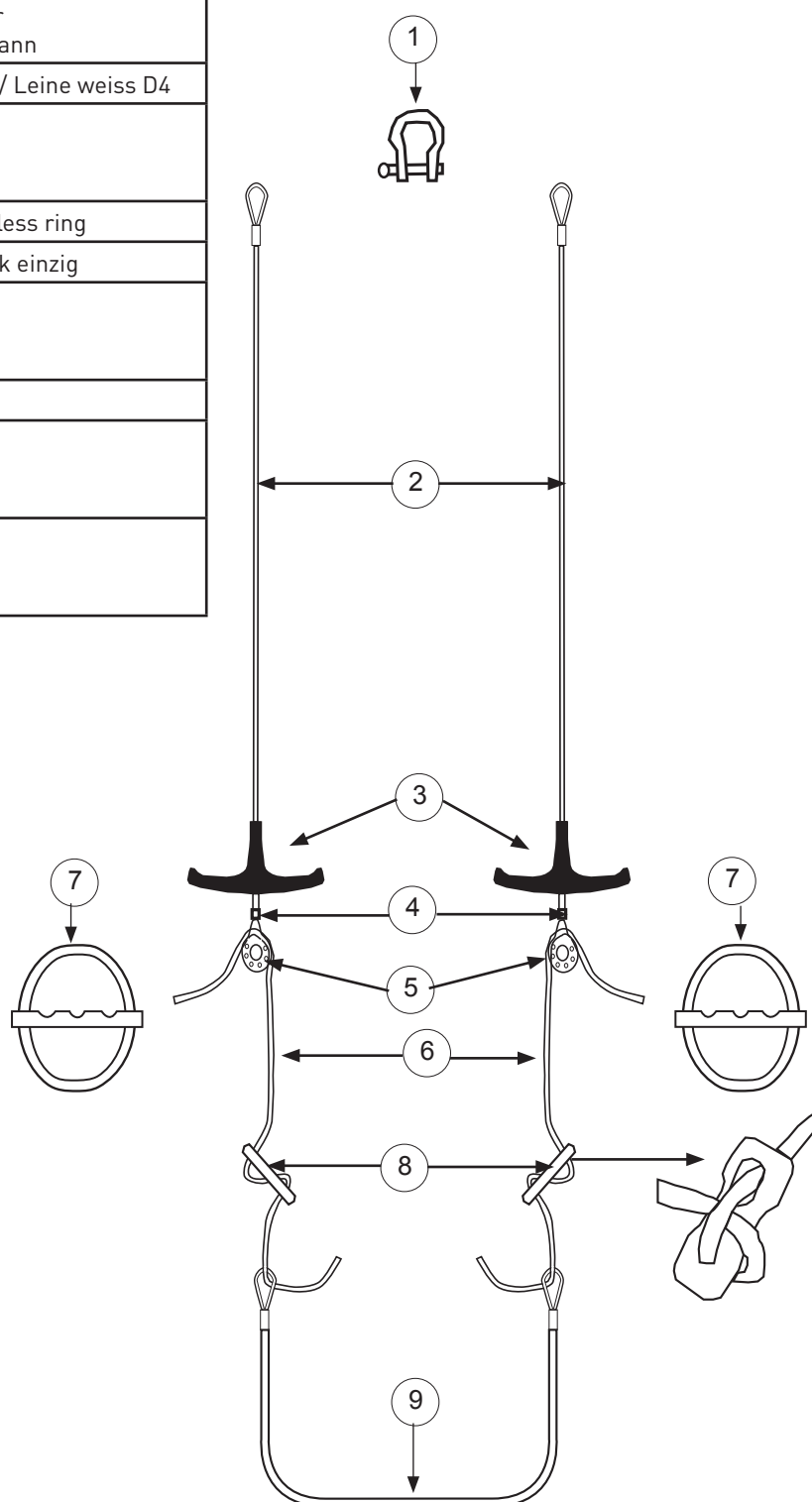


HOBIE MAX (club-sport-race)

Eclaté des pièces détachées / Illustrated Part Guide / Explosionszeichnung

Trapèze barreur / Trapeze skipper / Helmsmann Trapez

| N° | Ref | Designation/Description/Beschreibung |
|-----|----------|---|
| 1-9 | 16260520 | Jeu de câbles / Wire set / Kâbelsatz Club & Sport |
| 1 | 99220058 | Manille lyre D8 /Shackle D8 / Schäkel D8 (x10) |
| 2-5 | 16260570 | Cable trapèze spectra Max barreur Trapeze cable spectra Max skipper Trapezkabel spectra Max Helmsmann |
| 2 | 99300545 | Cordage D4 blanc / White rope D4 / Leine weiss D4 |
| 3 | 16080552 | Poignée de trapèze Trapeze handle Trapezgriff |
| 4 | 18042713 | Anneau inox barber / Barber stainless ring |
| 5 | 17070150 | Poulie simple / Block single / Block einzig |
| 6 | 16080554 | Bout trapeze bleu D6 Trapeze line blue D6 Trapezleine blau D6 |
| 7 | 99500020 | Poignée / Handle / Griff J&H (x10) |
| 8 | 18060301 | Double anneau (x10) Rope lock (x10) Trapezstopper (x10) |
| 9 | 16080555 | Sandow de trapèze (x10) Trapeze shock cord (x10) Gummistrop Trapez (x10) |

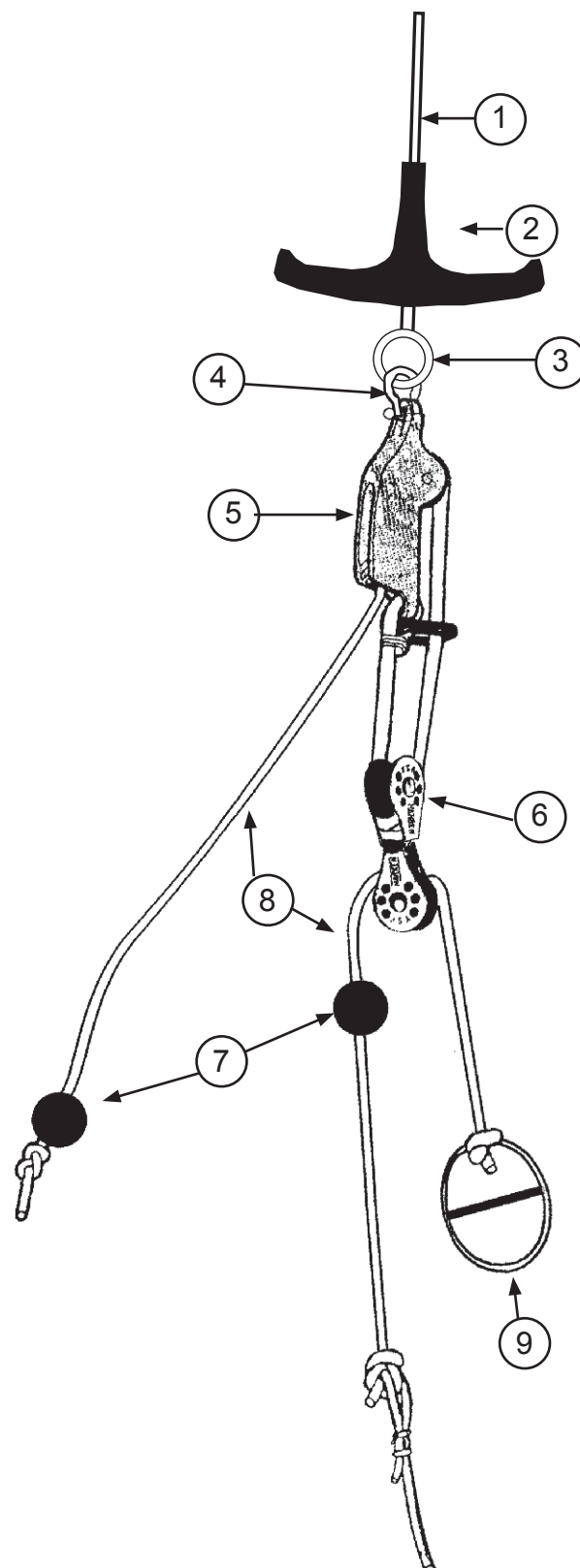


HOBIE MAX RACE

Eclaté des pièces détachées / Illustrated Part Guide / Explosionszeichnung

Trapèze équipier / Trapeze crew / Crew Trapez

| N° | Ref | Designation/Description/Beschreibung |
|-----|----------|--|
| 1-9 | 16260500 | Jeu de câbles / Wire set / Kábelsatz Race |
| 1-3 | 16260560 | Câble trapèze complet équipier Trapez wire complete crew Trapezkabel komplett crew |
| 1 | 99300545 | Cordage D4 blanc / White rope D4 / Leine weiss D4 |
| 2 | 16080552 | Poignée de trapèze Trapeze handle Trapezgriff |
| 3 | 18042713 | Anneau inox barber / Barber stainless ring |
| 4-9 | 99500035 | Poignée complète 2 trapèze équipier Handle complete 2 trapezes crew Griff komplett 2 Trapez crew |
| 4 | 99220036 | Manille lyre D4 : Shackle D4 / Schäkel D4 (x10) |
| 5 | 99500365 | Taquet de trapeze Trapeze cleat Trapezklemme |
| 6 | 99500109 | Poulie tête-tête Trapeze double block Trapezdoppelblock |
| 7 | 99500103 | Boule d'arrêt (x10) Stop ball (x10) Kugelstopper (x10) |
| 8 | 18060422 | Sachet cordage 2 trapèze équipier Set of 2 trapeze lines crew Satz von 2 Trapezleine crew |
| 9 | 99500020 | Poignée J&H (x10) Handle J&H (x10) Griff J&H (x10) |

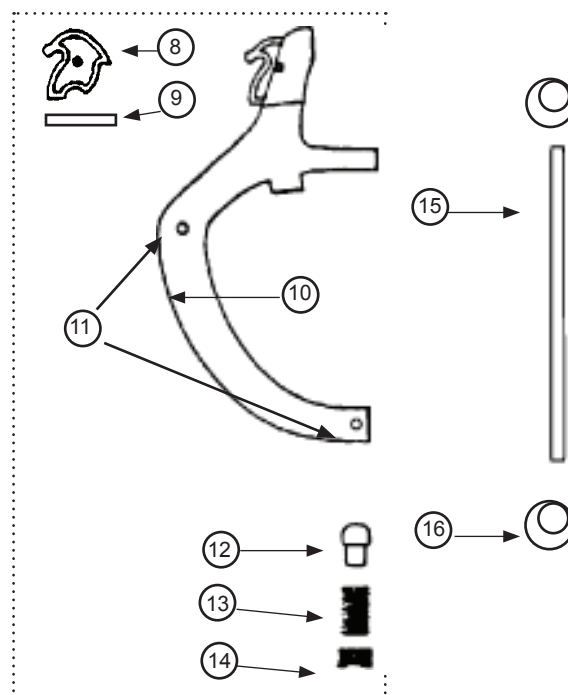
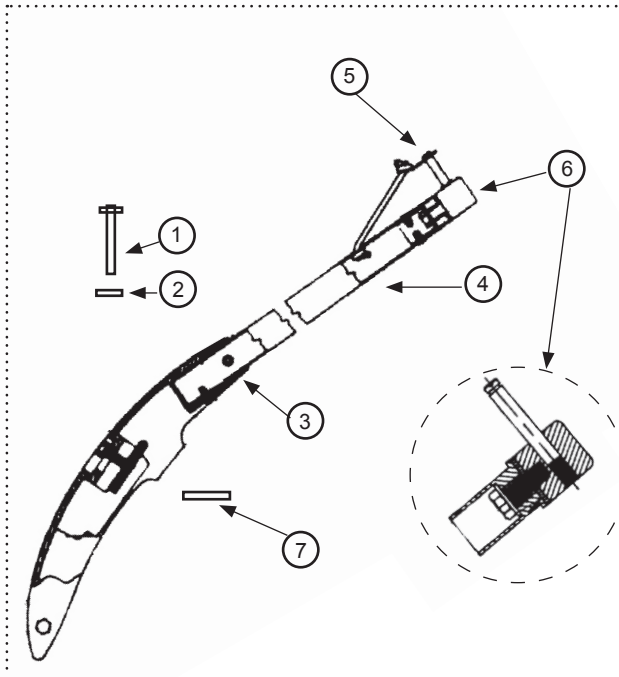


HOBIE MAX (club-sport-race)

Eclaté des pièces détachées / Illustrated Part Guide / Explosionszeichnung

Gouvernail / Rudder assembly / Ruderanlage

| N° | Ref | Designation/Description/Beschreibung |
|------|----------|--|
| 1-21 | 16262165 | Gouvernail complet droit Rudder assembly complete right Ruderanlage komplett rechts |
| 1-21 | 16262160 | Gouvernail complet gauche Rudder assembly complete left Ruderanlage komplett links |
| 1-7 | 16262155 | Bras gouv.droit complet droit Tiller arm right complete right Ruderarm rechts komplett rechts |
| | 16262152 | Bras gouv.droit complet gauche Tiller arm right complete left Ruderarm rechts komplett links |
| 1 | 99221123 | Vis TH 8x30 casting (x10) Casting bolt TH 8x30 (x10) Schraube Gußt. TH 8x30 (x10) |
| 2 | 99061110 | Rondelle plate D8 (x10) Washer (x10) Unterlegscheibe (x10) |
| 3 | 17000010 | Casting supérieur Gouv. Upper rudder casting Oberes Rudergehäuse |
| 4 | 18062160 | Tube de Gouvernail Tiller tube Ruderrohr |
| 5 | 99220161 | Clip rapide / Retainer clip /Sicherungsclip (x2) |
| 6 | 99220164 | Embout Race Tiller end cap Race Pinnenendstück Race |
| 7 | 14061122 | Platine dural Cam stop plate Platine f. oberes Rudergehäuse |
| 8-14 | 17062680 | Casting inférieur monté Lower rudder cast.assembled Unteres Rudergehäuse montiert |
| 8 | 14061180 | Came safran (x10) Plastic cam (x10) Rudernock (x10) |
| 9 | 16041755 | Goupille élastique (x10) Maststep pin (x10) Sprengbolzen (x10) |
| 10 | 18000155 | Casting inf. gouv nu néop + entretoise Lower rudder casting neop + bushings Unteres Rudergehäuse neop + bushings |
| 11 | 99220180 | Rondelle /washer /Unterlegscheibe L D8 |

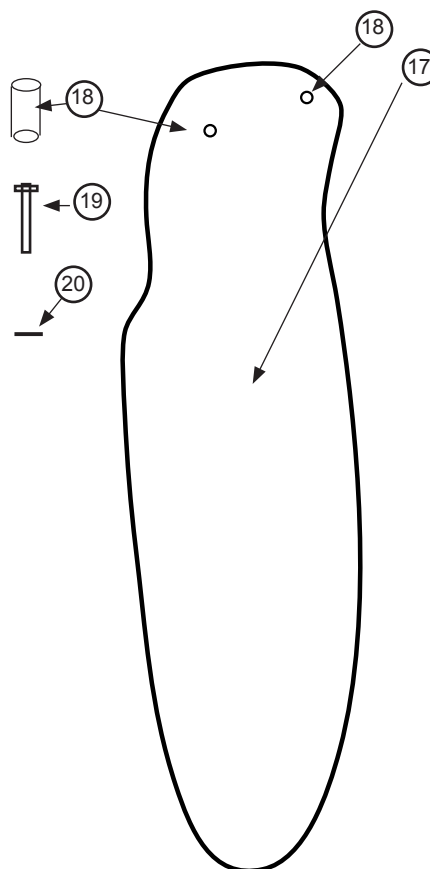
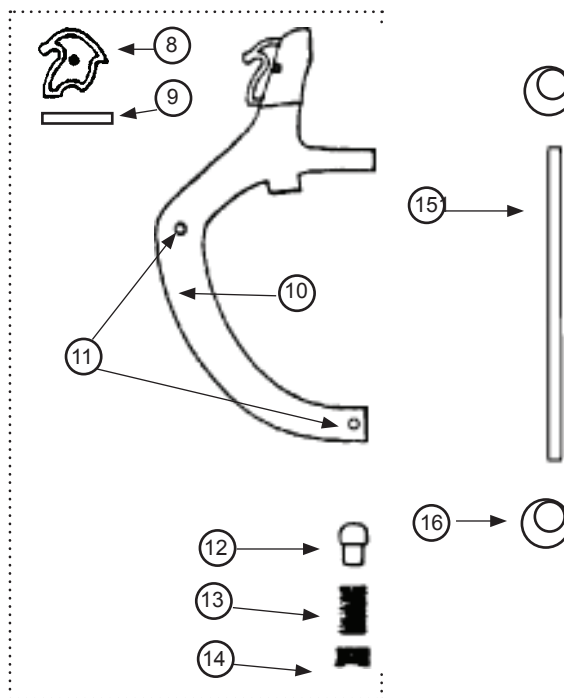


HOBIE MAX (club-sport-race)

Eclaté des pièces détachées / Illustrated Part Guide / Explosionszeichnung

Gouvernail / Rudder assembly / Ruderanlage

| N° | Ref | Designation/Description/Beschreibung |
|-------|----------|---|
| | 16262165 | Gouvernail complet droit Rudder assembly complete right Ruderanlage komplett rechts |
| | 16262160 | Gouvernail complet gauche Rudder assembly complete left Ruderanlage komplett links |
| 12 | 14061105 | Pene safran (x10) Plunger (x10) Gegenstück Rudernock (x10) |
| 13 | 99220004 | Ressort gouvernail (x10) Spring (x10) Feder (x10) |
| 14 | 99220006 | Vis safran delrin (x10) Screw delrin rudder (x10) Schraube delrin Ruder (x10) |
| 15+16 | 21080335 | Aiguillot + 2 anneaux brisés Rudder pin + 2 split rings Ruderbolzen + 2 Ring Splint |
| 15 | 21080330 | Aiguillot / Rudder pin / Ruderbolzen |
| 16 | 99220031 | Anneau Brisé (x10) Split ring (x10) Ring Splint (x10) |
| 17+18 | 99502280 | Lame safran White Knight 2 ins Rudder blade White Knight Ruderblatt White Knight |
| 17 | 99502146 | lame safran wk 16 2006 Rudder blade wk 16 2006 Ruderblatt wk 16 2006 |
| 18 | 99502130 | Insert lame safran 10x8x24 Sheave pin rudder blade Bolzen Ruderblatt |
| 19 | 99220150 | Vis / Screw / Schraube TH 8X55 (x10) |
| 20 | 99220012 | Ecrou Nylstop D8 (x10) Nylstop nut (x10) Selbstsichernde Mutter (x10) |
| 21 | 99216010 | Rivet / Popniete 4,8x11 (x10) |

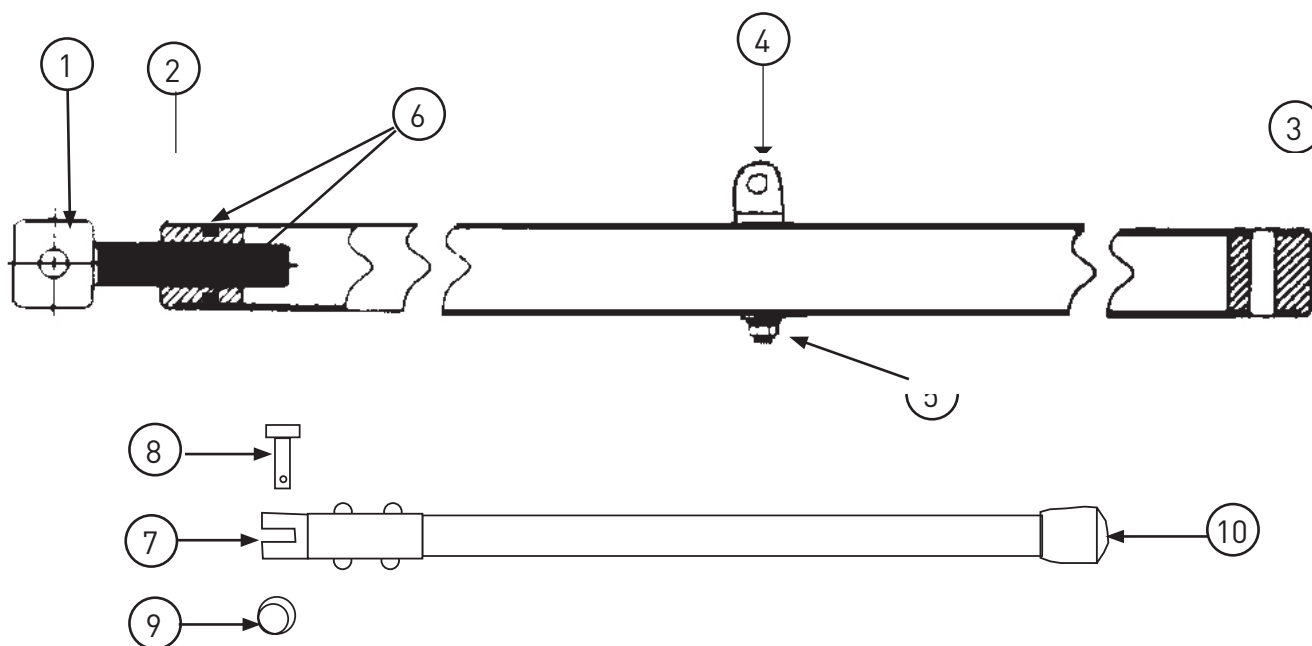


HOBIE MAX CLUB

Eclaté des pièces détachées / Illustrated Part Guide / Explosionszeichnung

Barre d'accouplement & stick / Tiller crossbar & extension / Anlenkstange & Pinne

| N° | Ref | Designation/Description/Beschreibung | N° | Ref | Designation/Description/Beschreibung |
|-----|----------|--|------|----------|--|
| 1-6 | 16262250 | Barre d'accouplement complète Tiller crossbar complete Anlenkstange kompl. | 7-10 | 16062305 | Stick aluminium Alu tiller extension Aluminium Pinne |
| 1 | 99220118 | Vis de réglage (x2) Adjustment screw (x2) Anlenkstange-Einstellschraube (x2) | 7 | 14061320 | Chape articulation stick / Hinge |
| 2 | 99220119 | Embout fileté Threaded end cap Enstück mit Gewinde | 8 | 14061240 | Axe percé art stick 6x22 (x10) Clevis pin 6x22 (x10) Bolzen Pinnengelenk 6x22 (x10) |
| 3 | 99220121 | Embout de barre accouplement percé Tiller crossbar drilled end cap Anlenkstange-Endstück gebohrt | 9 | 99220031 | Anneau brisé / Split ring / Ring Splint (x10) |
| 4 | 99221301 | Vis violon / Violon screw (x4) | 10 | 14061315 | Embout de stick alu 14/16 Tiller extension end cap alu 14/16 Pinnen-Endstück Alu 14/16 |
| 5 | 99220012 | Ecrou indessérable D8 Nylstop nut D8 Selbstsichernde Mutter D8 | | | |
| 6 | 99220445 | Vis / Screw / Schraube TCLPZ 4x6 | | | |

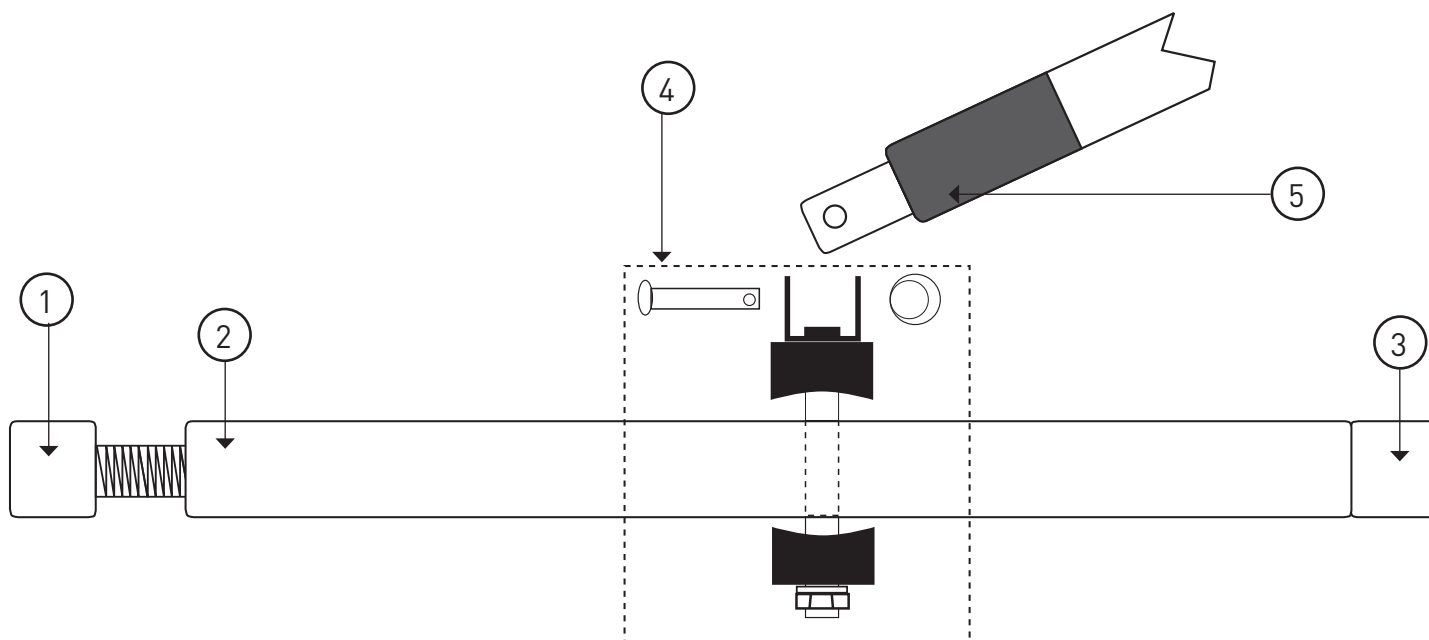


HOBIE MAX RACE/SPORT

Eclaté des pièces détachées / Illustrated Part Guide / Explosionszeichnung

Barre d'accouplement & stick / Tiller crossbar & extension / Anlenkstange & Pinne

| N° | Ref | Designation/Description/Beschreibung |
|----|----------|---|
| | 16262200 | Barre d'accouplement complète Tiller crossbar complete Anlenkstange kompl. |
| 1 | 99220118 | Vis de réglage (x2) Adjustment screw (x2) Anlenkstange-Einstellschraube (x2) |
| 2 | 99220119 | Embout fileté Threaded end cap Enstück mit Gewinde |
| | 99220445 | Vis / Screw / Schraube TCLPZ 4x6 |
| 3 | 99220121 | Embout de barre accouplement percé Tiller crossbar drilled end cap Anlenkstange-Endstück gebohrt |
| 4 | 99501310 | Kit articulation stick télescopique Telescopic tiller extension art. kit Teleskop-Pinne Verbindungsgelenk |
| 5 | 99502360 | Stick carbone télescopique Carbon tiller extension Teleskop-Pinne Carbon |

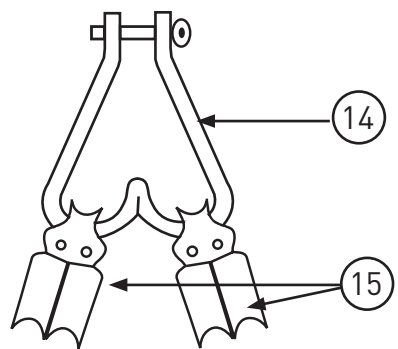
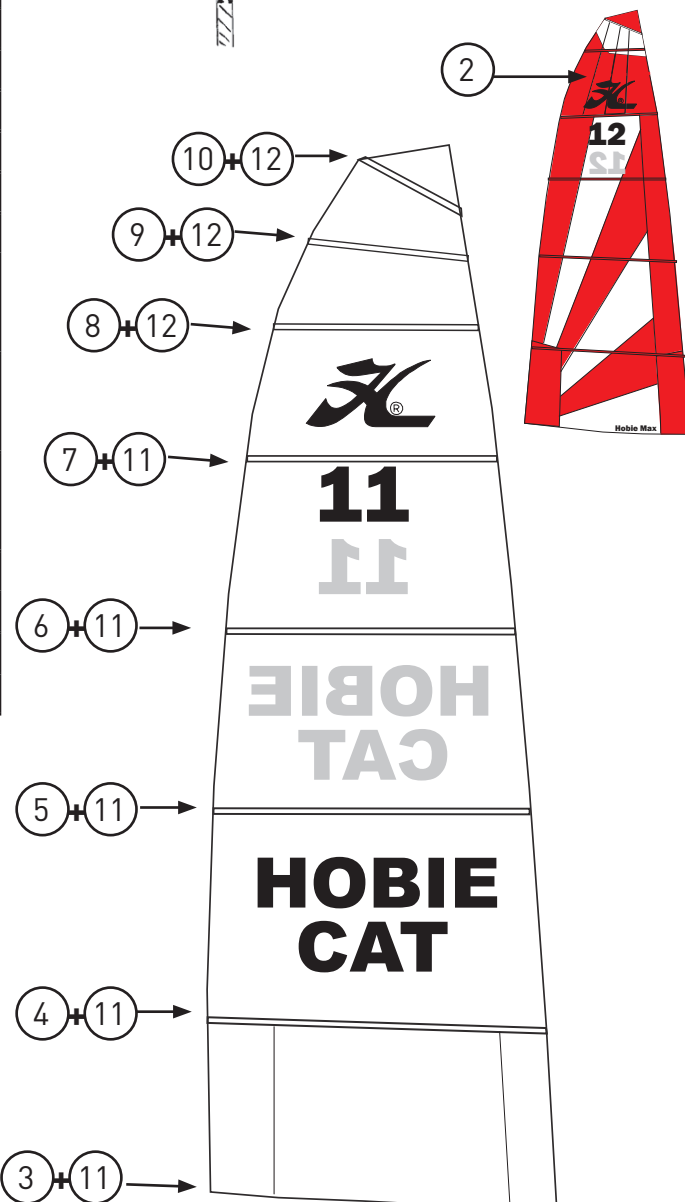
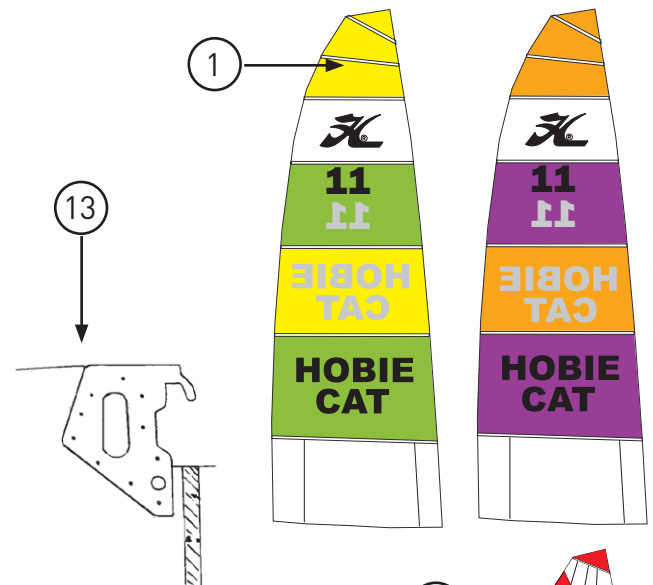


HOBIE MAX (club-sport)

Eclaté des pièces détachées / Illustrated Part Guide / Explosionszeichnung

Grand-voile / Main sail / Großsegel

| N° | Ref | Designation/Description/Beschreibung |
|------|----------|---|
| 1 | 16230050 | Grand-Voile CLUB LIME vert et jaune Mainsail CLUB LIME green & yellow Großsegel CLUB LIME grün & gelb |
| | 16230060 | Grand-Voile CLUB PASSION orange & violet Mainsail CLUB PASSION orange & purple Großsegel CLUB PASSION orange & purple |
| 2 | 16230070 | Grand-voile Sport Kamikaze Mainsail Sport Kamikaze Großsegel Sport Kamikaze |
| 3-12 | 16234050 | Jeu de lattes Batten set Lattensatz STX |
| 3 | 16234051 | #1 : 2085 mm |
| 4 | 16234051 | #2 : 2085 mm |
| 5 | 16234052 | #3 : 2005 mm |
| 6 | 16234053 | #4 : 1870 mm |
| 7 | 16234054 | #5 : 1650 mm |
| 8 | 16234055 | #6 : 1420 mm |
| 9 | 16234056 | #7 : 1110 mm |
| 10 | 16234057 | #8 / 850 MM |
| 11 | 14034010 | Embout de lattes std Batten end cap std Lattenendstück std |
| 12 | 99500330 | Embout de lattes Easy Batten end cap Easy Lattenendstück Easy |
| 13 | 20041750 | Hook de grand-voile Main hook Großhaken |
| | 99220145 | Vis / Screw / Schraube TF 6x25 (x10) |
| | 99220015 | Ecrou / Nut / Mutter D5 (x10) |
| 14 | 99220132 | Manille coeur / Heart shackle |
| 15 | 17070160 | Poulie double / Double block / Block zweifach |

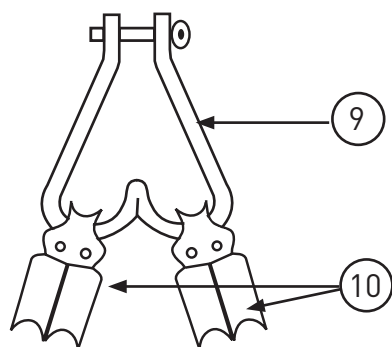
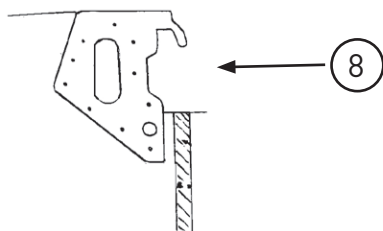
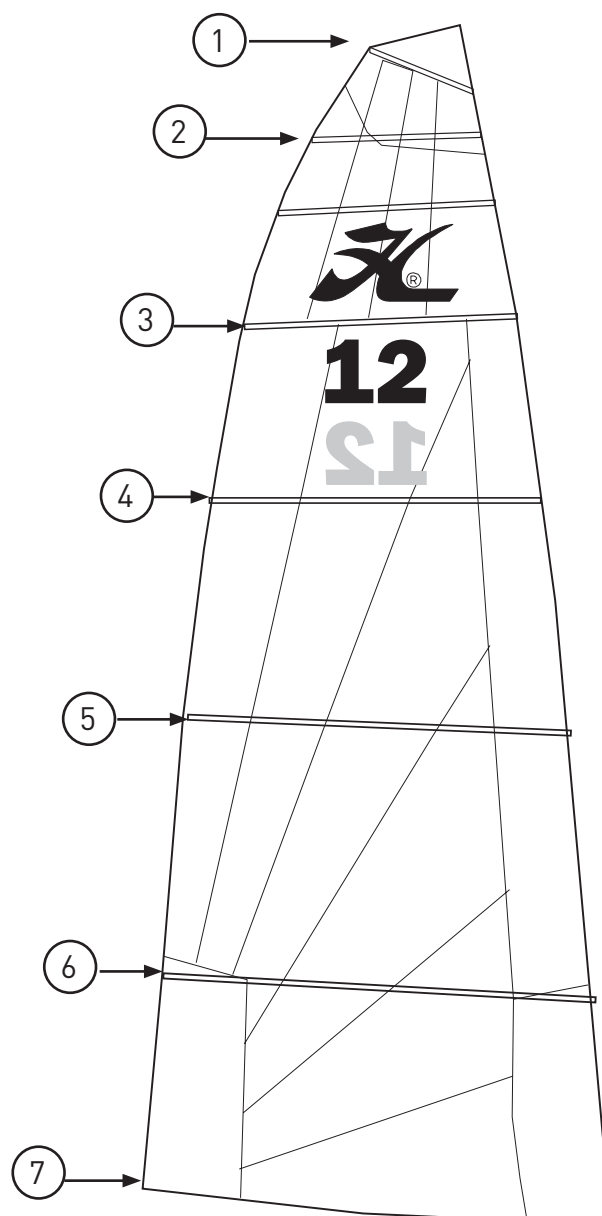


HOBIE MAX RACE

Eclaté des pièces détachées / Illustrated Part Guide / Explosionszeichnung

GRAND-VOILE / MAINSAIL / GROßSEGEL

| N° | Ref | Designation/Description/Beschreibung |
|-----|---------------------------------------|---|
| | 16230000 | Grand-Voile RACE Smoke Mainsail RACE Smoke Großsegel RACE Smoke |
| 1-7 | 16234050 | Jeu de lattes Batten set Lattensatz STX |
| 1 | lattes mousse / foam battens | #1 : 855 mm |
| 2 | | #2 : 1120 mm |
| 3 | | #3 : 1410 mm |
| 4 | | #4 : 1645 mm |
| 5 | | #5 : 1870 mm |
| 6 | | #6 : 2005 mm |
| 7 | | #7 : 2080 mm |
| 8 | 20041750 | Hook de grand-voile Main hook Großhaken |
| | 99220145 | Vis / Screw / Schraube TF 6x25 (x10) |
| | 99220015 | Ecrou / Nut / Mutter D5 (x10) |
| 9 | 99220132 | Manille coeur / Heart shackle |
| 10 | 17070160 | Poulie double / Double block / Block zweifach |

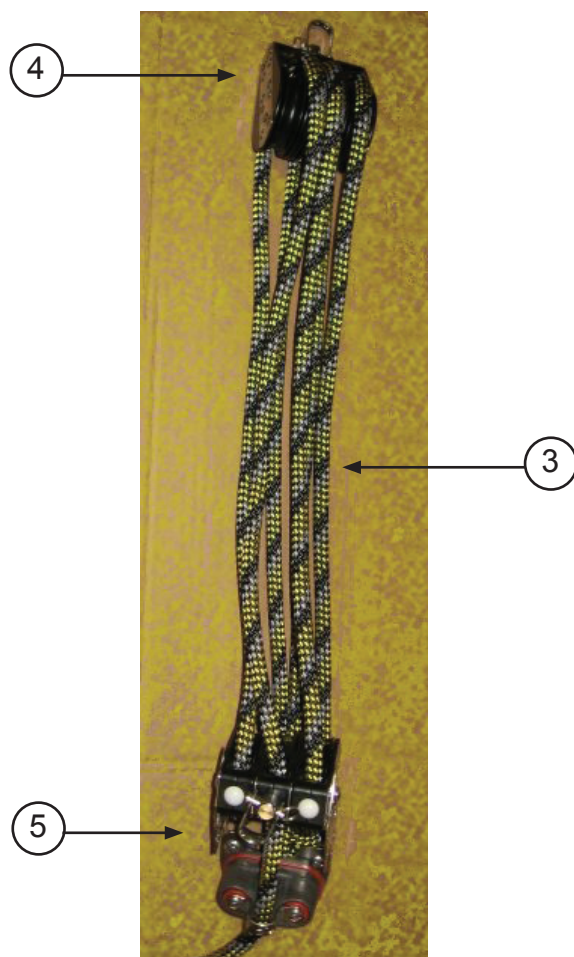
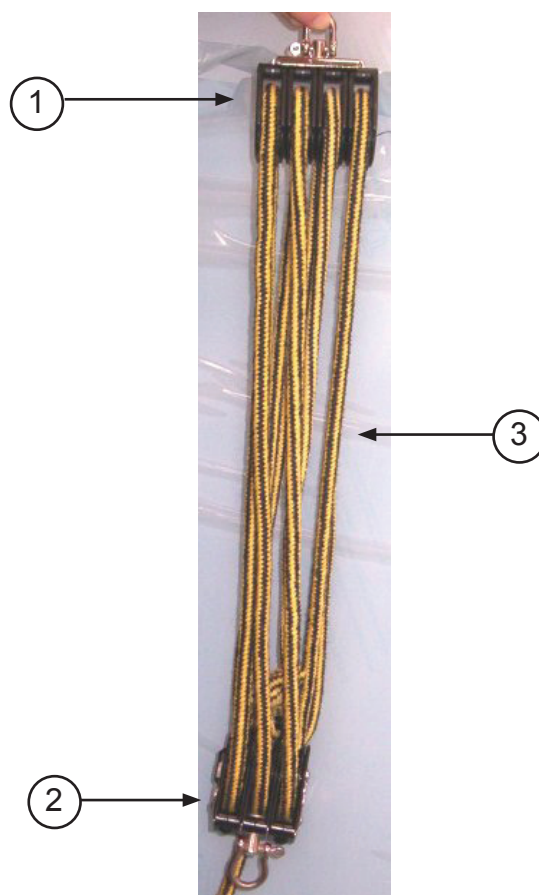


HOBIE MAX (club-sport-race)

Eclaté des pièces détachées / Illustrated Part Guide / Explosionszeichnung

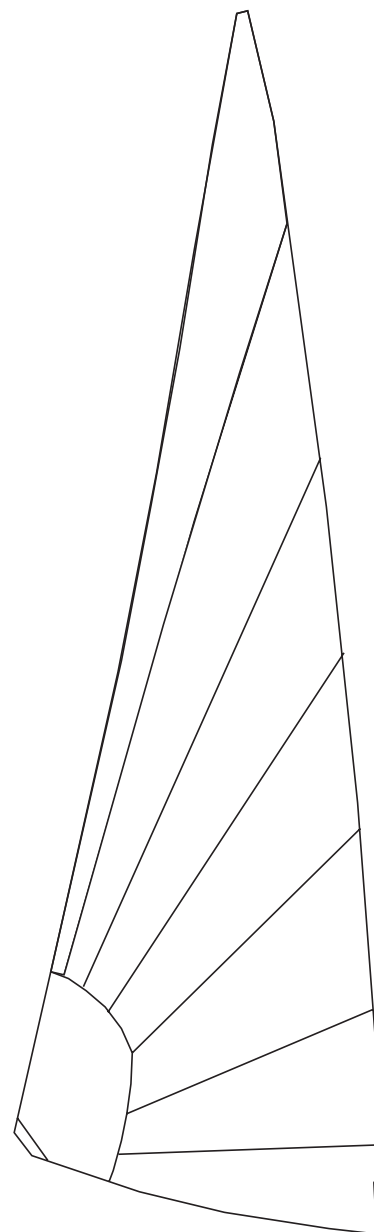
Palan de grand-voile / Main sheet system / Großschottsystem

| N° | Ref | Designation/Description/Beschreibung |
|-----|---|---|
| 1-3 | Palan Race / Race mainsheet system | |
| 1 | 99501005 | Poulie quadri carbo 57 mm Carbo block fourfold 57 mm Carbo 4-fach Block 57 mm |
| 2 | 99500136 | Poulie winch triple Threefold ratchet block Dreifacher Knarrblock |
| 3 | 16270420 | Ecoute de GV Mainsheet Großschott |
| 3-5 | Palan Club & Sport / Club & Sport mainsheet system | |
| 4 | 99500131 | Poulie triple / Threefold block / Block dreifach |
| 5 | 99500132 | Poulie winch triple Threefold ratchet block Dreifacher Knarrblock |



| | | | | |
|---|----------------|----------------|------------|---------------|
| Ref : ECL_MAX | Issued by : SD | Date : 03/2015 | Update : 4 | Page : 28/ 33 |
| HOBIE MAX (club-sport-race) | | | | |
| Eclaté des pièces détachées / Illustrated Part Guide / Explosionszeichnung | | | | |
| Foc / Jib / Fock | | | | |

| N° | Ref | Designation/Description/Beschreibung |
|----|----------|--|
| | 16230150 | Foc vert club Jib green club Fock grün club |
| | 16230155 | Foc jaune club Jib yellow club Fock gelb club |
| | 16230160 | Foc orange club Jib orange club Fock orange club |
| | 16230169 | Foc violet club Jib purple club Fock purple club |
| | 16230170 | Foc Sport Kamikaze |
| | 16230100 | Foc Race Pentex Smoke |



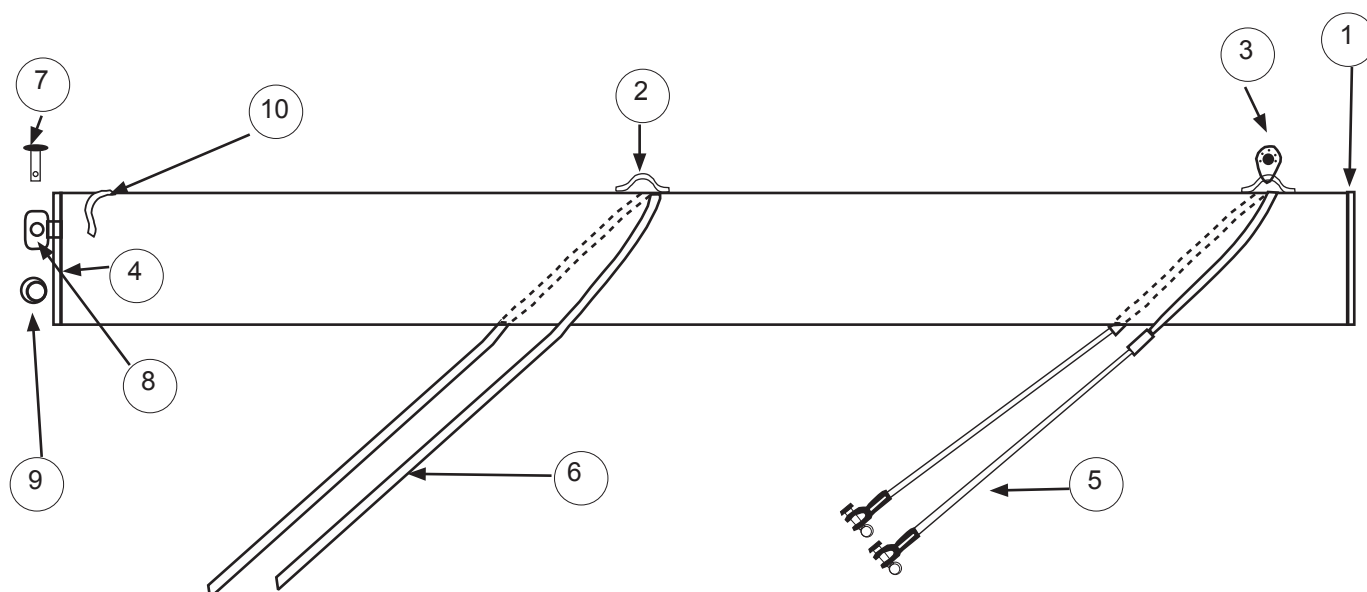
HOBIE MAX (club-sport-race)

Eclaté des pièces détachées / Illustrated Part Guide / Explosionszeichnung

Tangon / Spi boom / Spibaum

| N° | Ref | Designation/Description/Beschreibung |
|----|----------|---|
| | 16262640 | Tangon de spi trompette Max Trumpet pi pole Max Trumpet-Spibaum Max |
| 1 | 99220202 | Bouchon à ailette (x10) End cap (x10) Endstück (x10) |
| 2 | 99220057 | Pontet forgé D5 Pad-eye Guseisenbeschlag |
| | 99220326 | Vis / Screw / Schraube |
| | 99220015 | Ecrou / Nut / Mutter D5 |
| 3 | 99500735 | Poulie 29mm + ressort + pontet Block 29 mm + spring + pad-eye Block 29 mm + Splint + Guseisenbeschlag |
| 4 | 17569000 | Embout bôme percé Boom end cap drilled Baumendstück gebohrt |
| | 99220135 | Vis / Screw / Schraube TH 8x40 (x10) |
| | 99061110 | Rondelle / Washer / Unterlegscheibe D8 (x10) |
| | 99220012 | Ecrou indessérable D8 Nylstop nut D8 Selsbstsichernde Mutter D8 |

| N° | Ref | Designation/Description/Beschreibung |
|----|----------|--|
| 5 | 16280555 | Bride tangon simple Bridle pole Spibaum-Hahnepot |
| 6 | 99300595 | Bride tangon regatta Pole support wire regatta Spibaum-Gurtel regatta |
| 7 | 14061245 | Axe barre Connection pin Bolzen |
| 8 | 18061320 | Chape d'articulation tangon Spi pole connection toggle Verbindungswirbel Spibaum |
| 9 | 99220031 | Anneau brisé (x10) Split ring (x10) Offener Ring (x10) |
| 10 | 60010950 | Pontet nylon kayak Nylon kayak pad-eye Nylon Kajak Guseisenbeschlag |

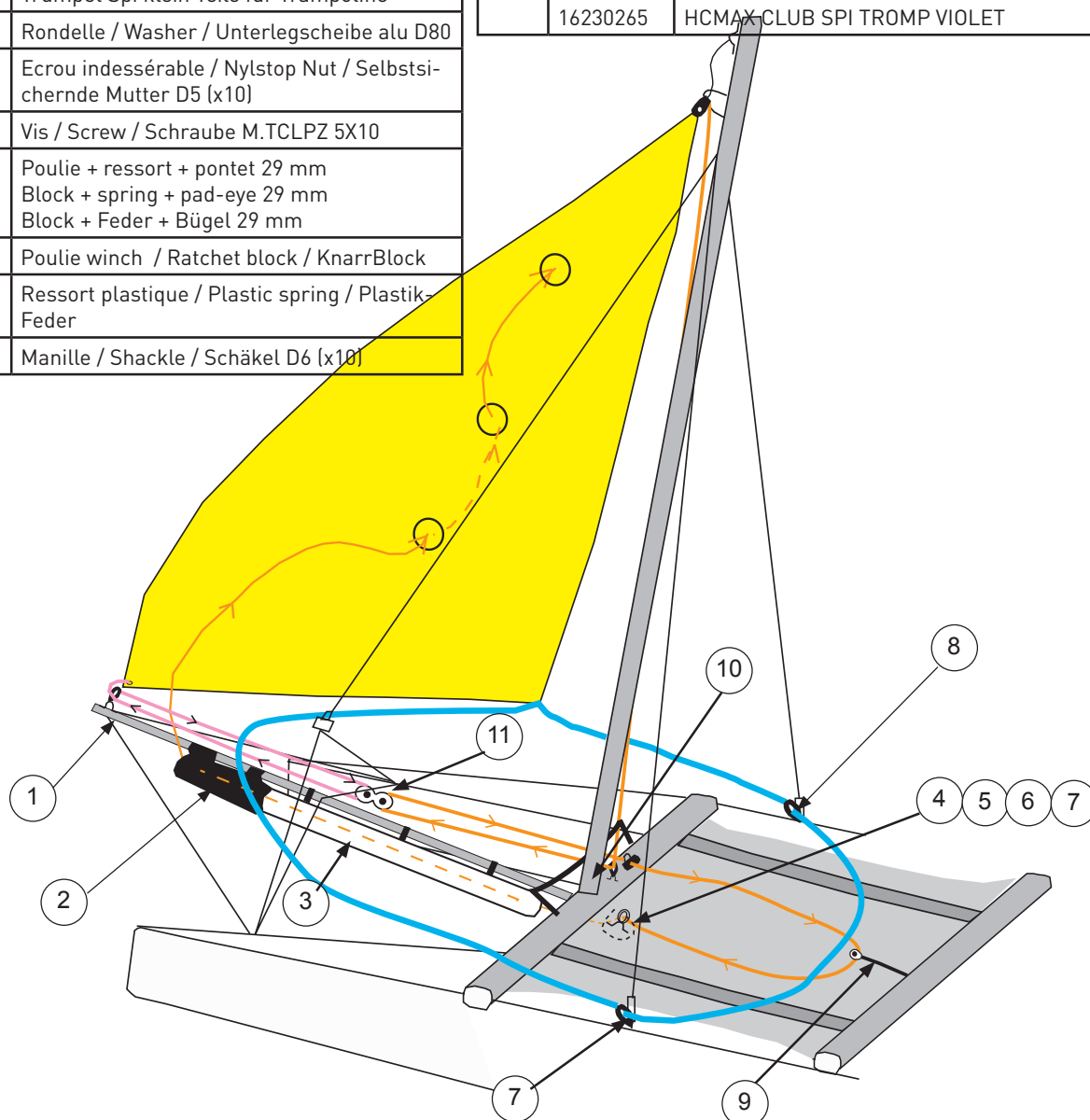


HOBIE MAX (club-sport-race)

Eclaté des pièces détachées / Illustrated Part Guide / Explosionszeichnung

Spinnaker

| N° | Ref | Designation/Description/Beschreibung | N° | Ref | Designation/Description/Beschreibung |
|------|----------|---|----|----------|---|
| 1 | 16262640 | Tangon de spi trompette Spi pole trumpet Spibaum Trumpet | 9 | 18070328 | Sandow + poulie Shock cord + block Gummileine + Block |
| 2 | 99267760 | Trompette spi 2007 Soft trumpet 2007 Spikanone 2007 | 10 | 18042790 | Protection base de mât Mast base cover Mastfuß-Bezug |
| | 99220101 | Vis / Screw / Schraube TCLF 4,8x19 | 11 | 21060060 | Poulies tête à tête Twin block assembly Zwillingsblöcke |
| 3 | 99267529 | Sac de spi trompette 2007 Trumpet spinnaker bag Sack für kurzer Spikanone | 12 | 16070040 | Sac de cordages spi trompette Spi trumpete line bag Spi Trumpet Leinesack |
| 4-12 | 16270390 | Accastillage spi trompette + cordages Trumpet spi kit + lines Trumpet Spi-Kit + Leine | | 16230200 | HCMAX RACE/SPORT SPI TROMP JAUNE |
| 4-7 | 18570385 | Accastillage trampoline spi trompette Trampoline rig for trumpet spi Trumpet Spi klein Teile für Trampoline | | 16230205 | HCMAX RACE/SPORT SPI TROMP ROUGE |
| | | | | 16230250 | HCMAX CLUB SPI TROMP JAUNE |
| 4 | 99025700 | Rondelle / Washer / Unterlegscheibe alu D80 | | 16230265 | HCMAX CLUB SPI TROMP VIOLET |
| 5 | 99220015 | Ecrou indessérable / Nylstop Nut / Selbstsichernde Mutter D5 (x10) | | | |
| 6 | 99220071 | Vis / Screw / Schraube M.TCLPZ 5X10 | | | |
| 7 | 99500735 | Poulie + ressort + pontet 29 mm Block + spring + pad-eye 29 mm Block + Feder + Bügel 29 mm | | | |
| 8 | 99501000 | Poulie winch / Ratchet block / KnarrBlock | | | |
| | 99500755 | Ressort plastique / Plastic spring / Plastik-Feder | | | |
| | 99220035 | Manille / Shackle / Schäkel D6 (x10) | | | |



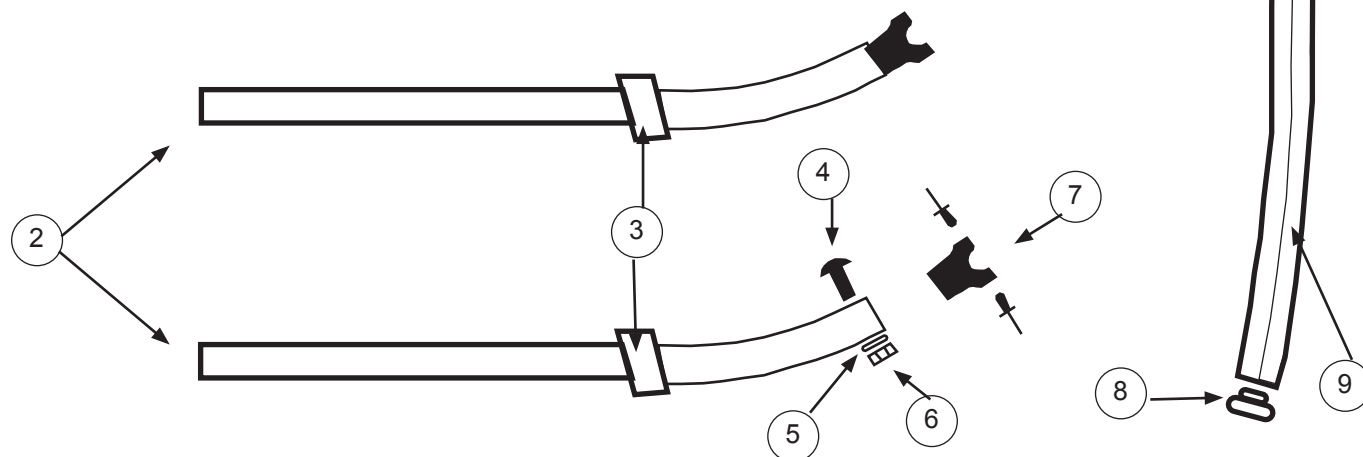
HOBIE MAX (club-sport-race)

Eclaté des pièces détachées / Illustrated Part Guide / Explosionszeichnung

Kit ailes sport / Sport wing kit

| N° | Ref | Designation/Description/Beschreibung |
|----|----------|--|
| | 16260950 | Aile sport gauche complete Complete sport wing left Wing Sport links komplett |
| | 16262955 | Aile sport droite complete Complete sport wing right Wing Sport rechts komplett |
| 1 | 20562940 | Assise aile sport nue Wing tube sport bare Tube Wing sport rohr |
| 2 | 18062930 | Bras d'aile sport complet Wing arm sport complete Wingarme Sport komplett |
| | 99216004 | Rivet / Pop / Popniete TB Inox 4,8x19 (x10) |
| 3 | 99100001 | Arrêt PVC PVC stop PVD Stopper |
| 4 | 99220142 | Vis / Screw / Schraube TRL 6x60 |
| 5 | 99220032 | Rondelle Inox D6 (x10) Washer inox D6 (x10) Unterlegscheibe D6 (x10) |
| | 99220019 | Ecrou indessérable D6 (x10) Nylstop nut D6 (x10) Selbstsichernde Mutter D6 (x10) |
| | 18041733 | Casting embout de wing End wing casting Guseisen Endstück Wing |
| 7 | 99216020 | Rivet / Pop / Popniete TB Inox 4,8x14 (x10) |
| | 17025810 | Bouchons à ailettes D48 End cap D48 Endstück D48 |
| 9 | 20506050 | Néoprene / Neoprene / Antirutsch-belag 900x70 |

1

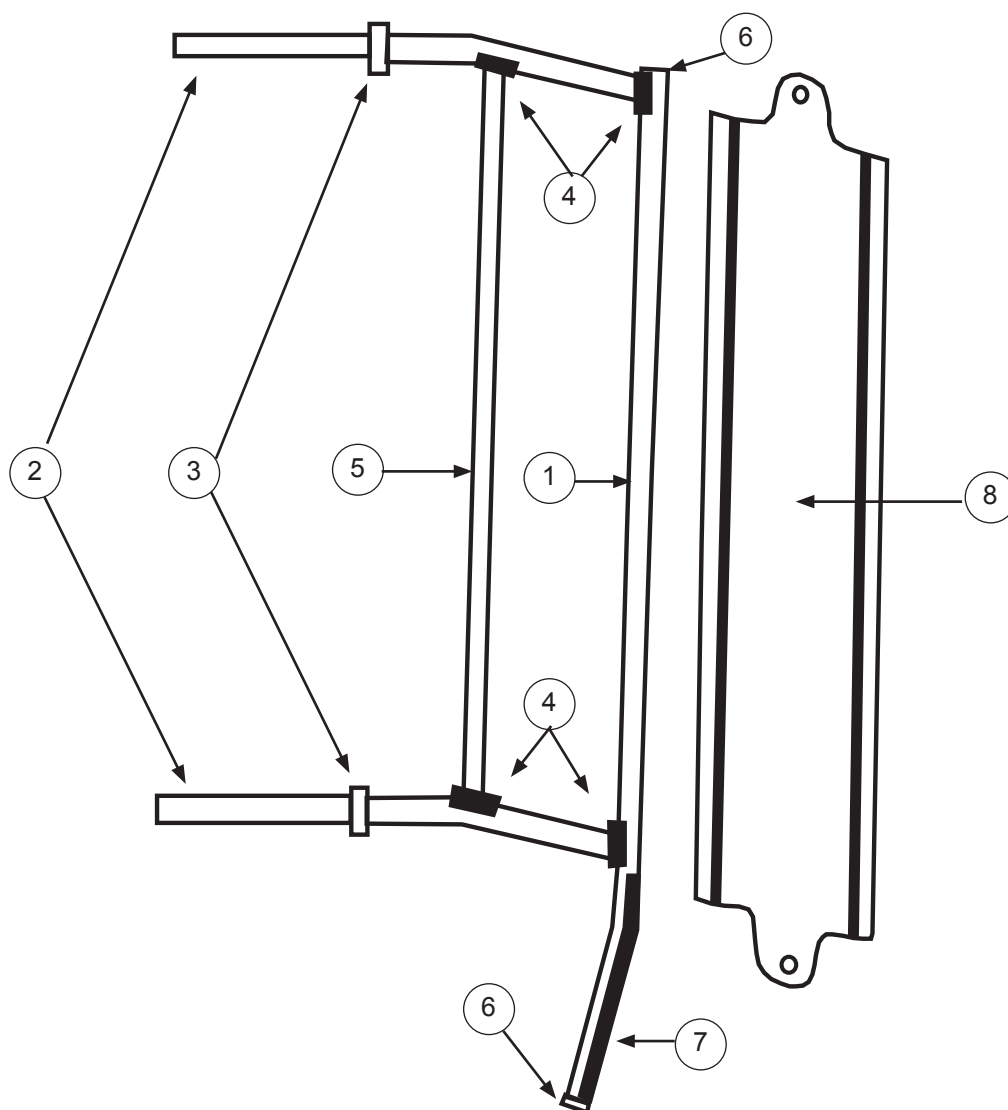


HOBIE MAX (club-sport-race)

Eclaté des pièces détachées / Illustrated Part Guide / Explosionszeichnung

Kit ailes confort / Comfort wing kit

| N° | Ref | Designation/Description/Beschreibung | N° | Ref | Designation/Description/Beschreibung |
|----|----------|---|----|----------|--|
| | 16262960 | Aile confort gauche complete Complete comfort wing left Wing Comfort links komplett | 4 | 18041733 | Casting embout de wing End wing casting Guseisen Endstück Wing |
| | 16262965 | Aile confort droite complete Complete comfort wing right Wing comfort rechts komplett | | 99216010 | Rivet / Pop / Popniete TB Inox 4,8x11 (x10) |
| 1 | 20562940 | Assise aile confort Wing tube comfort Wing Sitztube Comfort | 5 | 99302905 | Renfort d'aile Wing support tube Wing verstärkerung |
| 2 | 17560335 | Bras d'aile confort cintré nu noir Wing arm confort bent bare black Wingarme confort rohr schwarz | 6 | 17025810 | Bouchons à ailettes D48 End cap D48 Endstück D48 |
| | 99216004 | Rivet / Pop / Popniete TB Inox 4,8x19 (x10) | | 7 | 99506050 |
| 3 | 99100001 | Arrêt PVC / PVC stop / PVC Stopper | 8 | 17525895 | trampoline d'aile confort (x2) Comfort wing trampoline (x2) Trampoline für Comfort-Wing (x2) |





| | | | | |
|---|----------------|----------------|------------|---------------|
| Ref : ECL_MAX | Issued by : SD | Date : 03/2015 | Update : 4 | Page : 33/ 33 |
| HOBIE MAX (club-sport-race) | | | | |
| Eclaté des pièces détachées / Illustrated Part Guide / Explosionszeichnung | | | | |
| Contact | | | | |



HOBIE CAT EUROPE

ZI Toulon Est, CS60250, 83078 Toulon cedex 9, France
Tel +33 (0)494 08 78 78 - Fax +33 (0)494 08 13 99
E-mail : info@hobie-cat.net - site web www.hobiecat.com